

Model Number: 120N(X6W)/BGEF

Location: _____

Approval: _____

Engineer: _____

Date: _____

Submitted to: _____

Construction: _____

Submitted by: _____

Unit #: _____

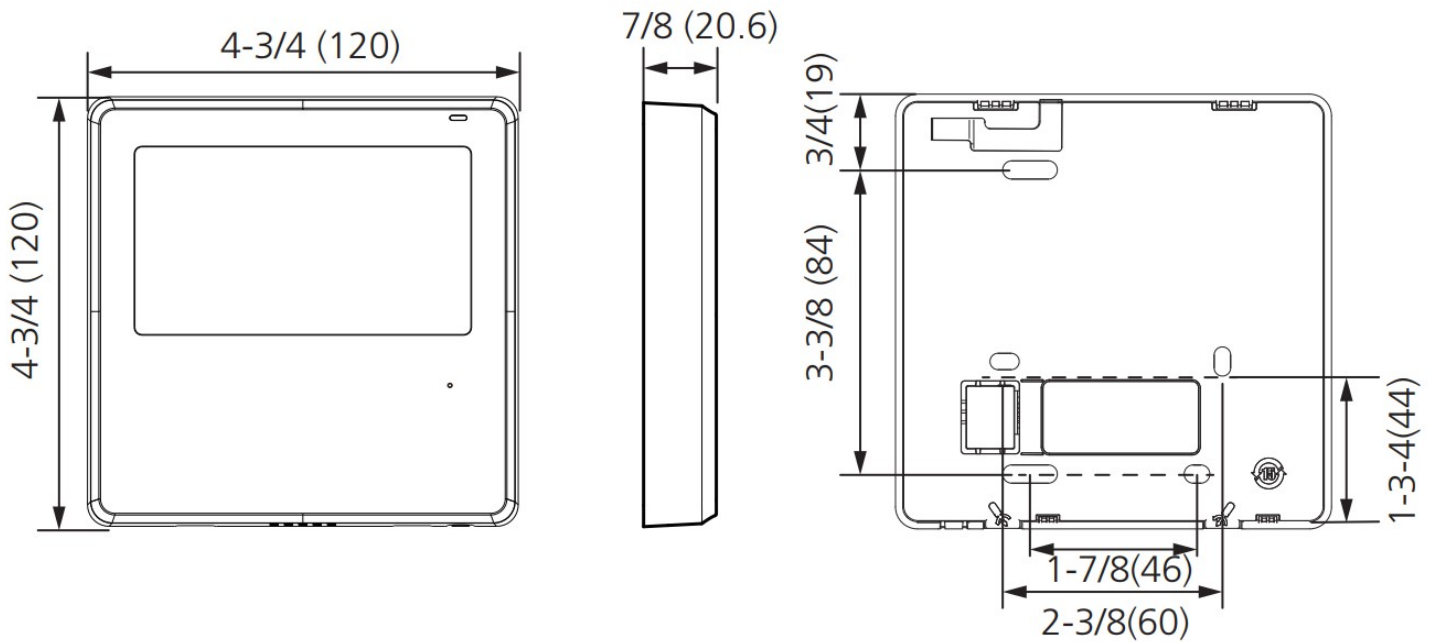
Reference: _____

Drawing #: _____



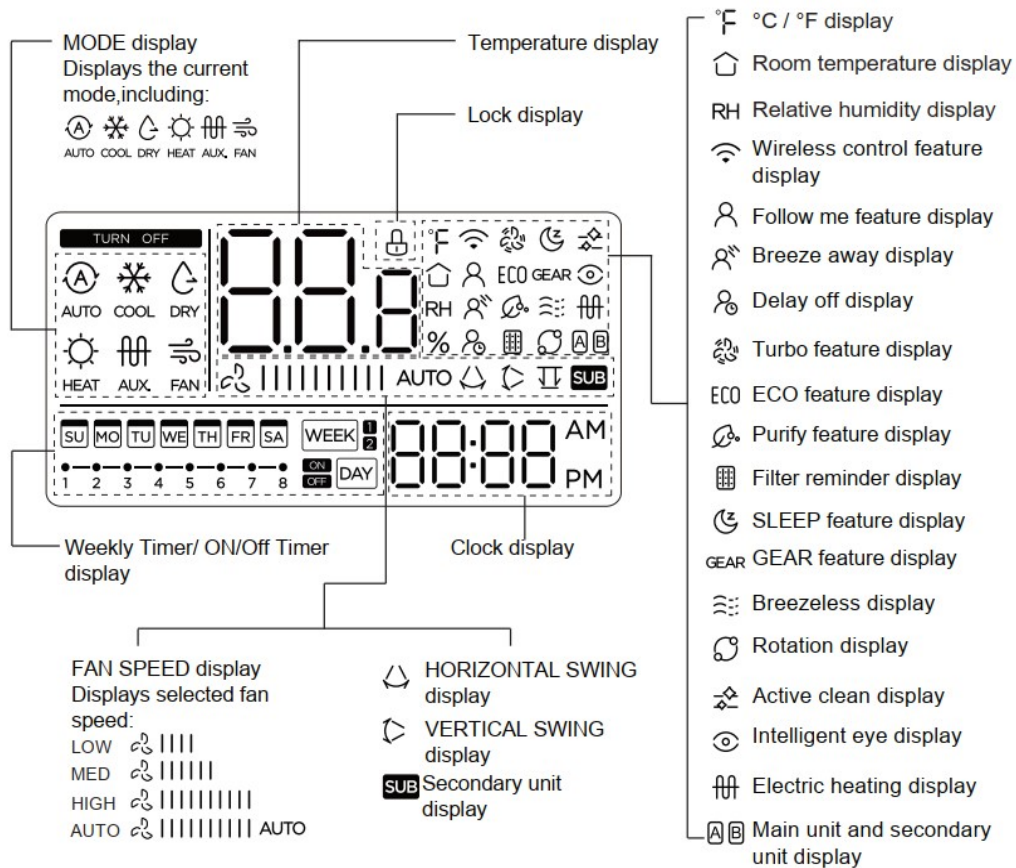
SPECS		
Input Voltage	V	12 VDC
Product Size (HxWxD)	inch	4-3/4 x 4-3/4 x 7/8
	mm	120 x 120 x 21
Net Weight	lbs	0.46
	kg	0.21
Ambient Temperature	°F	32-110
Ambient Humidity	°C	0-43
Ambient Humidity	RH	40%-90%
Material	Front Panel	PC/ABS
	Back Cover	PC/ABS

Dimension

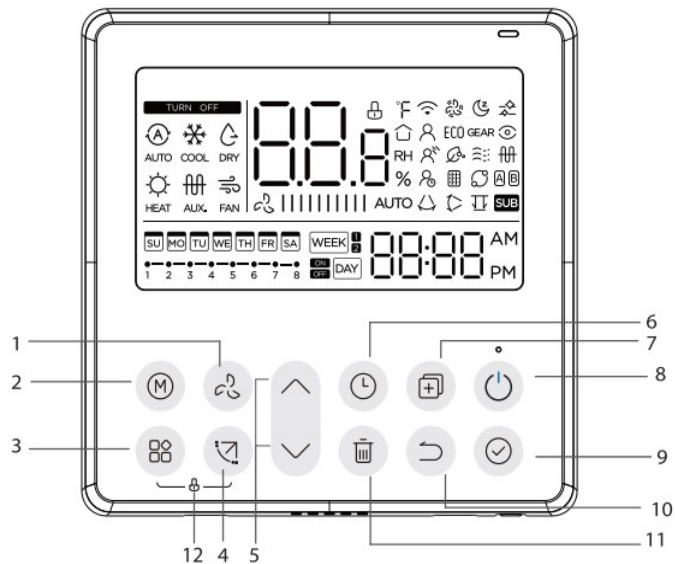


unit: inch (mm)

Display



Button



- | | |
|--------------------|-------------------------|
| 1 FAN SPEED button | 7 COPY button |
| 2 MODE button | 8 POWER button |
| 3 FUNC. button | 9 CONFIRM button |
| 4 SWING button | 10 BACK button |
| 5 ADJUST button | 11 DAY OFF/DELAY button |
| 6 TIMER button | 12 CHILD LOCK button |

