

Model Number: AP-24VKITMI

Location: \_\_\_\_\_

Approval: \_\_\_\_\_

Engineer: \_\_\_\_\_

Date: \_\_\_\_\_

Submitted to: \_\_\_\_\_

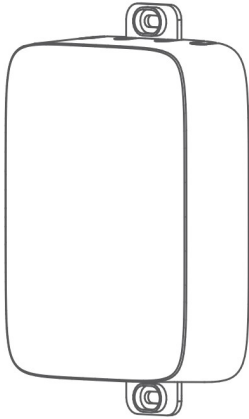
Construction: \_\_\_\_\_

Submitted by: \_\_\_\_\_

Unit #: \_\_\_\_\_

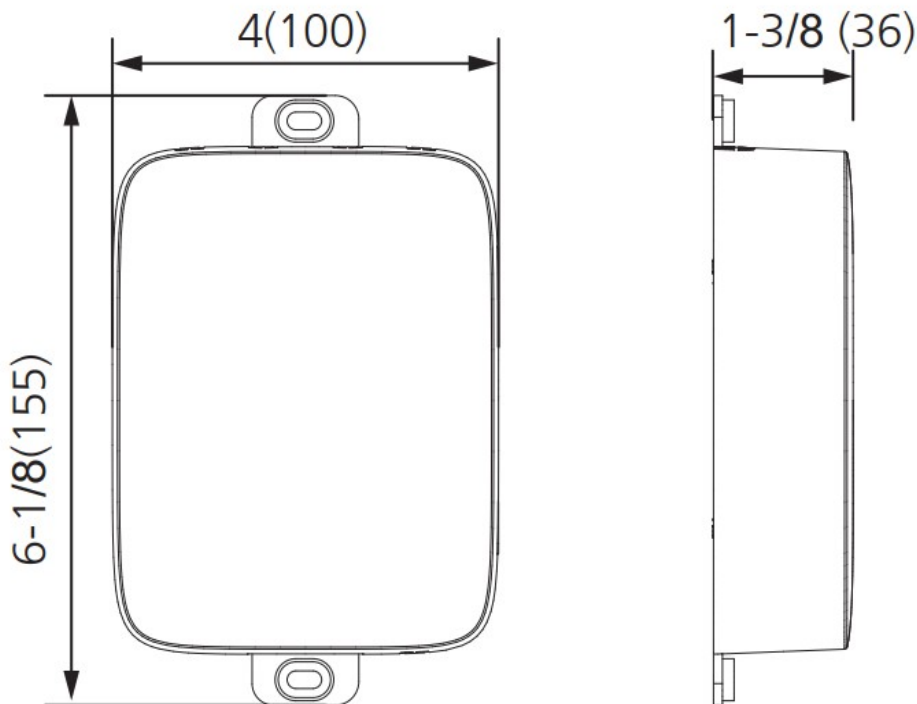
Reference: \_\_\_\_\_

Drawing #: \_\_\_\_\_

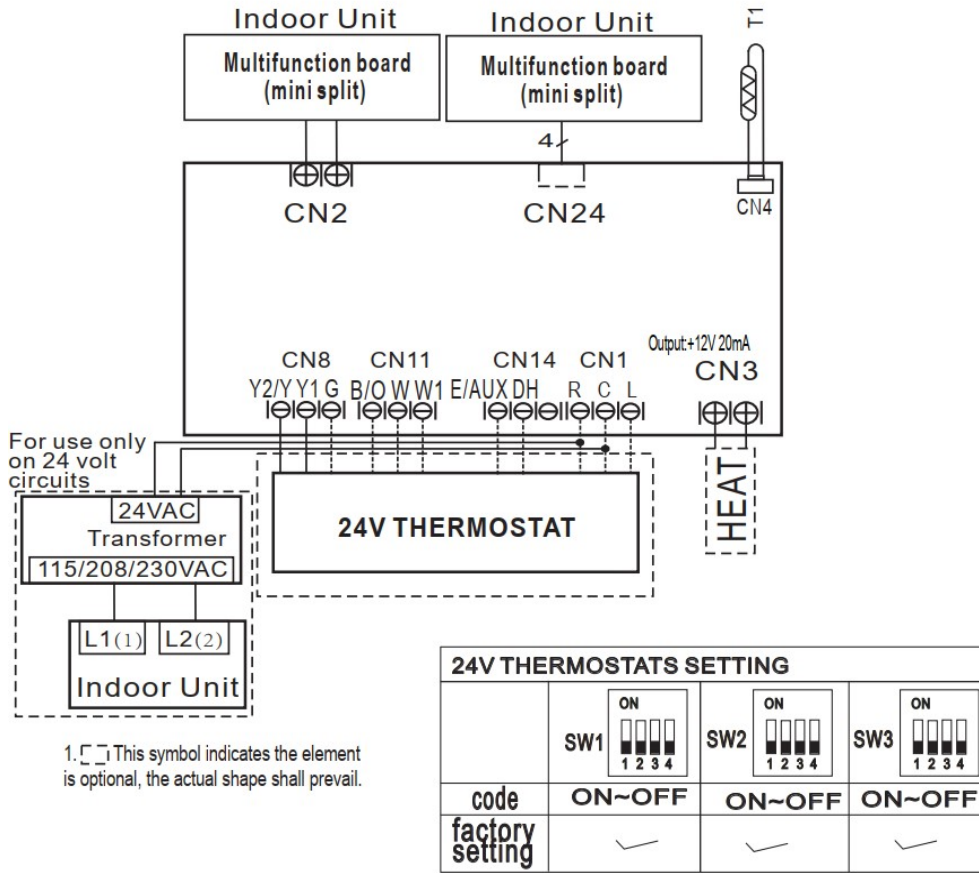


SPECS		
Input Voltage	V	5V~24V
Product Size (HxWxD)	inch	4 x 6-1/8 x 1-3/8
	mm	100 x 155 x 36
Ambient Temperature	°F	23-110
Ambient Humidity	°C	-5-43
Ambient Humidity	RH	40%-90%
Material		PC/ABS

### Dimension



# Wiring Diagram



# Compatibility Chart

All Easy Pro	INFINI	Forest	Console	1-way cassette	4-way cassette	Ceiling&Flo or	Slim duct	2nd Gen. AHU	3rd Gen. AHU	Wall Mounted AHU	Pancake	A-Coil
Yes	Yes	Yes	Yes	Yes	Yes	Yes	Yes	No	No	No	No	No