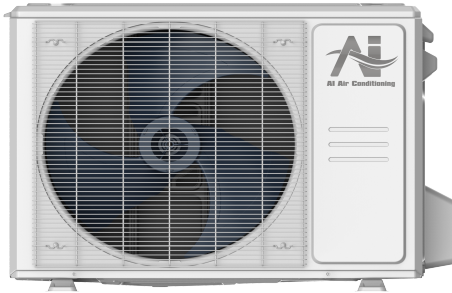
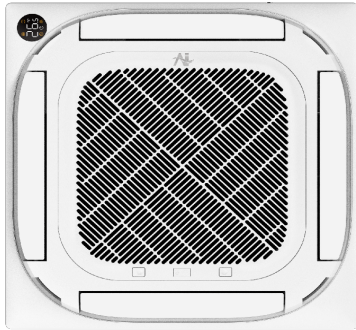




Location: _____
 Engineer: _____
 Submitted to: _____
 Submitted by: _____
 Reference: _____

Model Number: AO25-09N2-M1H / AC-09N2-M1

Approval: _____
 Date: _____
 Construction: _____
 Unit #: _____
 Drawing #: _____



INDOOR SPECIFICATION

| | | |
|---------------------------------------|---------------------|--------------------------|
| Indoor Air Flow (Turbo/H/M/L/S) (CFM) | 353/312/265/183/147 | |
| Indoor Noise Level (T/H/M/L/S) (dBA) | 43/40/38/26/24 | |
| Dimension (W×D×H) | inch | 22-1/2 x 22-1/2 x 9-5/8 |
| | mm | 570 x 570 x 245 |
| Package (W×D×H) | inch | 28-1/8 x 25-1/4 x 11-5/8 |
| | mm | 715 x 640 x 295 |
| Net/Gross Weight | lbs | 35/42 |
| | kg | 16/19 |

OUTDOOR SPECIFICATION

| | | |
|------------------------------|--------|----------------------|
| Compressor Type | ROTARY | |
| Refrigerant | R454B | |
| Factory Charge | 350ml | |
| Refrigerant Oil | VG74 | |
| Outdoor Air Flow (Max) (CFM) | 1471.5 | |
| Outdoor Noise Level (dBA) | 55.0 | |
| Dimension (W×D×H) | inch | 31-3/4 x 13 x 21-3/4 |
| | mm | 805 x 330 x 554 |
| Package (W×D×H) | inch | 36 x 14-5/8 x 24-1/4 |
| | mm | 915 x 370 x 615 |
| Net/Gross Weight | lbs | 73/79 |
| | kg | 33/35.7 |

EFFICIENCY

| Cooling | | Heating | |
|---------|------|---------|------|
| SEER2 | 22.6 | HSPF2-4 | 12.1 |
| EER2 | 14.0 | COP | 4.0 |

PERFORMANCE of Cooling

Cooling (Btu/hr)

| | |
|--------------------------|--------------------------|
| Rated Capacity | 9000 |
| Min/Max Capacity | 3700~13600 |
| Moisture Removal | 0.88 |
| Standard Operating Range | -22°F~122°F (-30°C~50°C) |

Rated Cooling Conditions: Indoor: 80°F DB/67°F WB
 Outdoor: 95°F DB/75°F WB

PERFORMANCE of Heating

Heating (Btu/hr)

| | |
|------------------------------|-------------------------|
| 1. @ 47°F Rated (Min/Max) | 10000(5100~15700) |
| 2. @ 17°F Rated | 9700 |
| 3. @ 5°F Max: Capacity / COP | 11000/1.84 |
| Standard Operating Range | -22°F~75°F (-30°C~24°C) |

1. Rated Heating Conditions: Indoor: 70°F DB/60°F WB
 Outdoor: 47°F DB/43°F WB
 2. Rated Heating Conditions: Indoor: 70°F DB/60°F WB
 Outdoor: 17°F DB/15°F WB
 3. Heating Conditions, Compressor Operating at Max. Frequency Indoor: 70°F DB/60°F WB
 Outdoor: 5°F DB/5°F WB

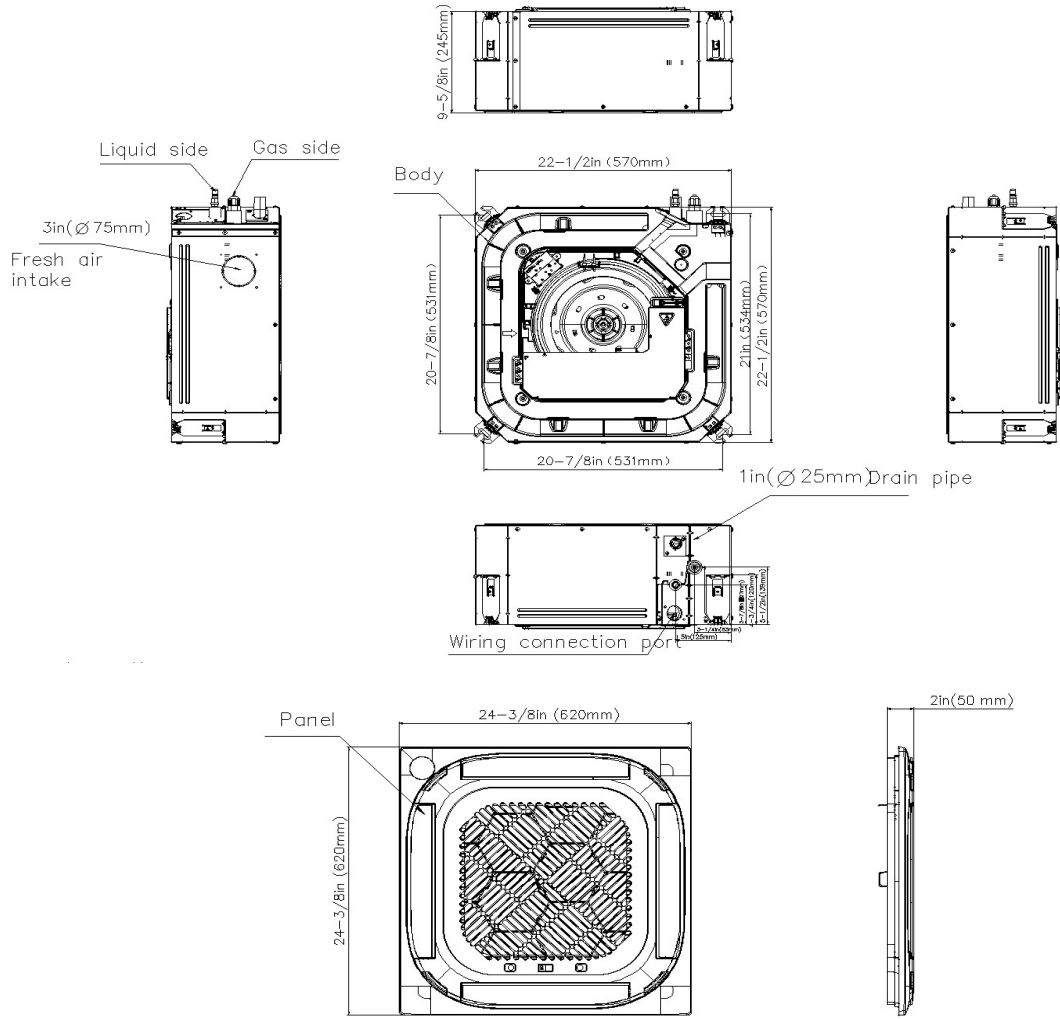
ELECTRICAL

| | |
|----------------------------------|--|
| Power Supply | 208/230V, 60Hz, 1Ph |
| System MCA | 15 |
| Connection Wiring | AWG 14-4 |
| System MOCP | 15 |
| Compressor RLA | 10.4 |
| Outdoor Fan Motor RLA | 0.6 |
| Outdoor Fan Motor W | 34 |
| Indoor Fan Motor RLA | 0.8 |
| Indoor Fan Motor W | 45 |
| System Power Input @ Cooling (W) | 643(200 ~ 1150) |
| System Power Input @ Heating (W) | 733(285 ~ 1330) |
| MCA: Min. circuit amps (A) | MOCP: Max. over current protection (A) |
| RLA: Rated load amps (A) | W: Fan motor rated output (W) |

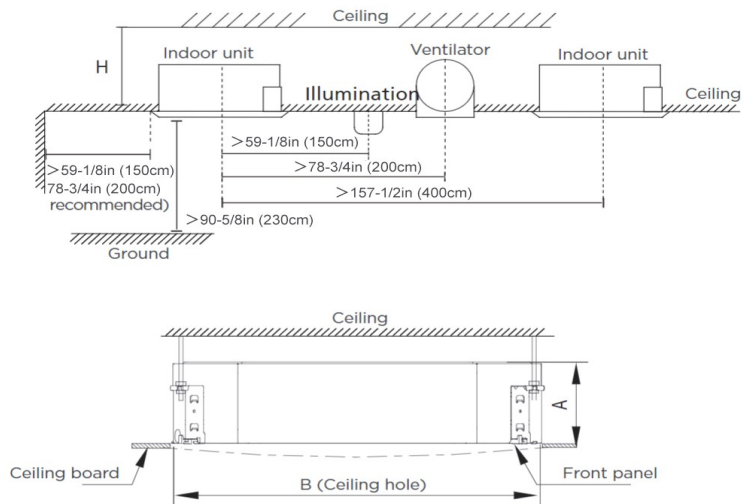
PIPING

| | |
|----------------------------------|-------------------|
| Liquid Size | 1/4in (6.35mm) |
| Gas Size | 3/8in (9.52mm) |
| Drain Size | 5/8in (15.88mm) |
| Max. Piping Length | 82ft (25m) |
| Max. Height Difference | 49.2ft (15m) |
| Max. Pre-charged Length | 24.6ft (7.5m) |
| Refrigerant Pre-charged Amount | 35.27oz (1000g) |
| Additional Charge of Refrigerant | 0.16oz/ft (15g/m) |
| Connection Method | Flared |

Indoor Unit Dimension



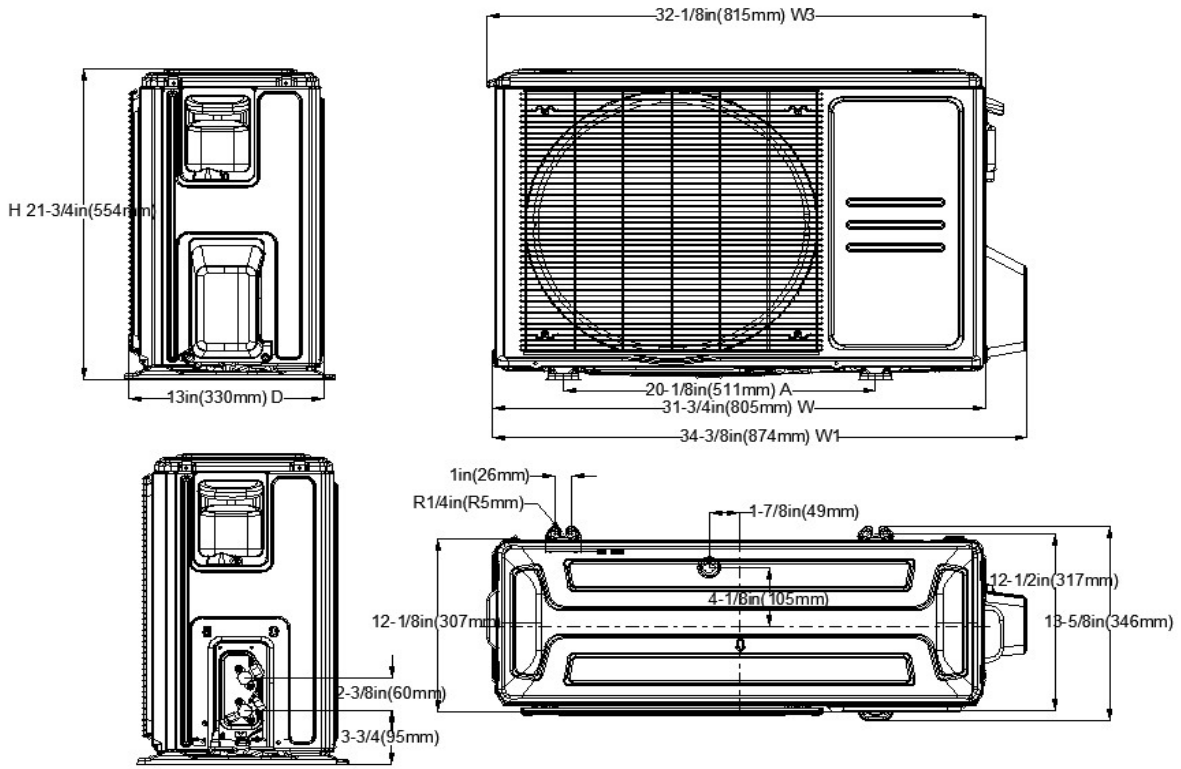
Installation Instruction



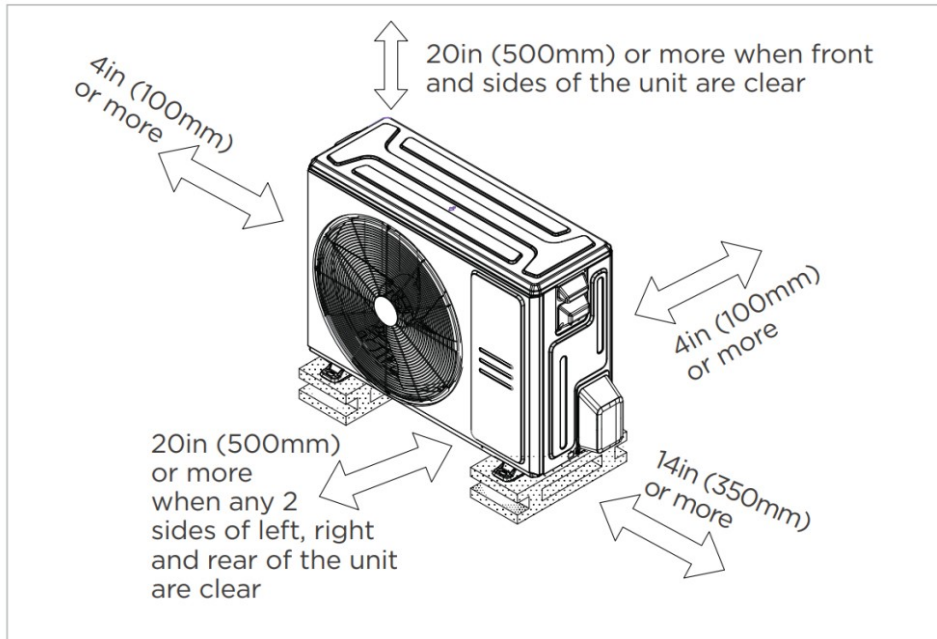
Distance from ceiling relative to height of indoor unit

| MODEL | Length of A | Length of H | Length of B |
|------------|------------------|--------------------|------------------|
| 9K/12K/18K | 9-5/8in (245mm) | > 10-7/8in (275mm) | 23-5/8in (600mm) |
| 24K | 8-1/8in (205mm) | 9in (230mm) | |
| 36K | 9-5/8in (245mm) | 10-5/8in (271mm) | 35-3/8in (900mm) |
| 48K | 11-1/4in (287mm) | 12-3/8in (313mm) | |

Outdoor Unit Dimension



Installation Instruction



- ☑ Meets all special requirements shown in Installation Clearance Requirements above.

Features

- 360° Air Flow
- Built-in remote on-off and alarm terminals
- Refrigerant leakage detector(Optional)
- Humidity sensor
- Built-in water pump
- 1~100% stepless adjustable fan speed setting
- WiFi capability: through WiFi module or wired controller with WiFi function
- OTA function: can upgrade the program version anytime
- 2-pin connector(HA/HB) for programmable wired controller
- Multiple controller options available:
 - Optional two way communication wired controller, programmable:120N(X6)
 - Optional two way communication wired controller, programmable, with built-in WiFi, :120N(X6W)
 - Optional Infrared wired controller: 120L
 - Standard Wireless remote controller
 - Optional 24V interface kit, can connect with Third-Party 24V Thermostat