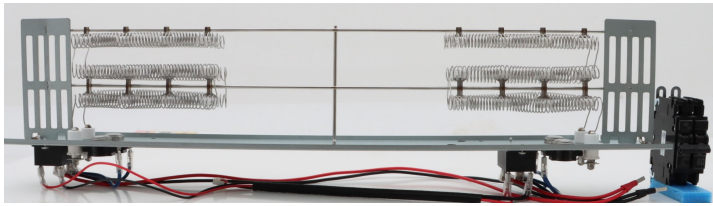




Location: \_\_\_\_\_  
 Engineer: \_\_\_\_\_  
 Submitted to: \_\_\_\_\_  
 Submitted by: \_\_\_\_\_  
 Reference: \_\_\_\_\_

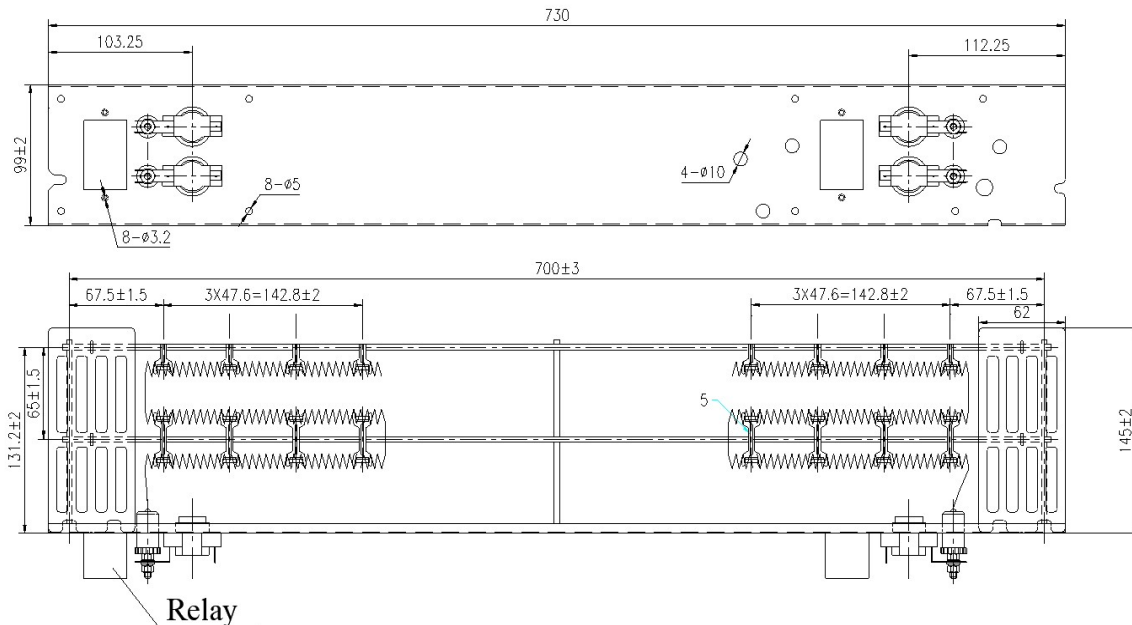
Model Number: EAH-10D(UL)

Approval: \_\_\_\_\_  
 Date: \_\_\_\_\_  
 Construction: \_\_\_\_\_  
 Unit #: \_\_\_\_\_  
 Drawing #: \_\_\_\_\_





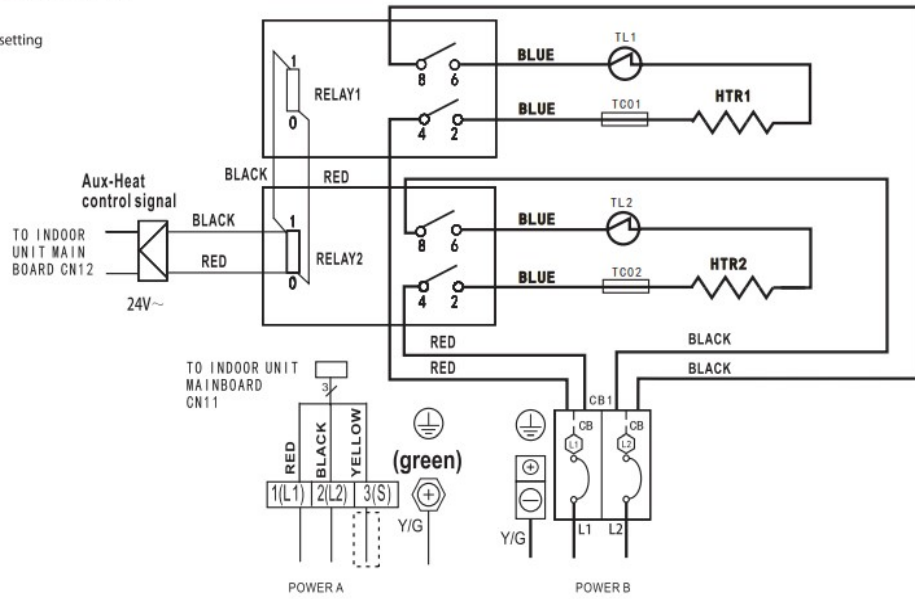
| SPECS                       |             |                         |
|-----------------------------|-------------|-------------------------|
| Normal Operational Voltage  | (V, Ph, Hz) | 208 / 230, 1, 60        |
| Current                     | A           | 36.5 / 40.0             |
| Heat Power                  | KW          | 7.4 / 9.0               |
| MCA                         | A           | 46.0 / 50.0             |
| MAX. FUSE                   | A           | 50.0 / 50.0             |
| Heater dimension (W×D×H)    | inch        | 28-3/4 x 3-7/8 x 7-1/2  |
|                             | mm          | 730 x 99 x 190          |
| Packaging dimension (W×D×H) | inch        | 31-3/4 x 6-1/2 x 12-3/8 |
|                             | mm          | 805 x 165 x 315         |
| Net Weight                  | lbs         | 4.0                     |
|                             | kg          | 1.8                     |
| Gross Weight                | lbs         | 10.1                    |
|                             | kg          | 4.6                     |

### Heater dimension



3KW/5KW/8KW/10KW HEAT KIT

 :thermal cut-out  
 :thermal link, self-resetting



**NOTE 1:** [Symbol] This symbol indicates the element is optional, The wiring type of the actual unit shall prevail.  
**NOTE 2:** Please attach the nameplate to the cover of the electric control box. Please refer to the Installation Manual for details.  
**NOTE 3:** TO BE WIRED IN ACCORDANCE WITH NEC AND LOCAL CODES.

**NOTE 4:** POWER A, B, C, D ARE DIFFERENT POWERS.

The wiring mode of power supply A shall be based on the type of original wiring terminal of AHU; for type A, S position must be connected to the outdoor S; for type B, S position shall not be connected.

