



Location: \_\_\_\_\_  
 Engineer: \_\_\_\_\_  
 Submitted to: \_\_\_\_\_  
 Submitted by: \_\_\_\_\_  
 Reference: \_\_\_\_\_

Model Number: A6MO21-60N2-M1

Approval: \_\_\_\_\_  
 Date: \_\_\_\_\_  
 Construction: \_\_\_\_\_  
 Unit #: \_\_\_\_\_  
 Drawing #: \_\_\_\_\_



OUTDOOR SPECIFICATION	
Compressor Type	ROTARY
Refrigerant	R454B
Factory Charge	1400ml
Refrigerant Oil	VG74
Outdoor Air Flow (Max) (CFM)	4503
Outdoor Noise Level (dBA)	64.0
Dimension (W×D×H)	inch 37-1/2 x 16-3/8 x 52-1/2
	mm 952 x 415 x 1333
Package (W×D×H)	inch 43-1/8 x 19-1/2 x 58-1/4
	mm 1095 x 495 x 1480
Net/Gross Weight	lbs 238/270
	kg 107.9/122.6

ELECTRICAL	
Power Supply	208/230V,60Hz,1Ph
System MCA	36
Connection Wiring	AWG 14-4
System MOC	40
Compressor RLA	25
Outdoor Fan Motor RLA	2.5
Outdoor Fan Motor W	85
Indoor Fan Motor RLA	/
Indoor Fan Motor W	/
System Power Input @ Cooling (W)	6000/(1200 ~ 6360)
System Power Input @ Heating (W)	4753/(1200 ~ 5200)
MCA: Min. circuit amps (A)	MOC: Max. over current protection (A)
RLA: Rated load amps (A)	W: Fan motor rated output (W)

EFFICIENCY			
Cooling		Heating	
SEER2	18.0	HSPF2-4	9.2
EER2	10.0	COP	3.7

PERFORMANCE of Cooling	
Cooling (Btu/hr)	
Rated Capacity	60000
Min/Max Capacity	19000~61000
Moisture Removal	3.1
Standard Operating Range	-13°F~122°F (-25°C~50°C)

Rated Cooling Conditions: Indoor: 80°F DB/67°F WB  
 Outdoor: 95°F DB/75°F WB

PERFORMANCE of Heating	
Heating (Btu/hr)	
1. @ 47°F Rated (Min/Max)	60000(20000~61000)
2. @ 17°F Rated	39000
3. @ 5°F Max: Capacity / COP	40000/2.1
Standard Operating Range	-13°F~75°F (-25°C~24°C)

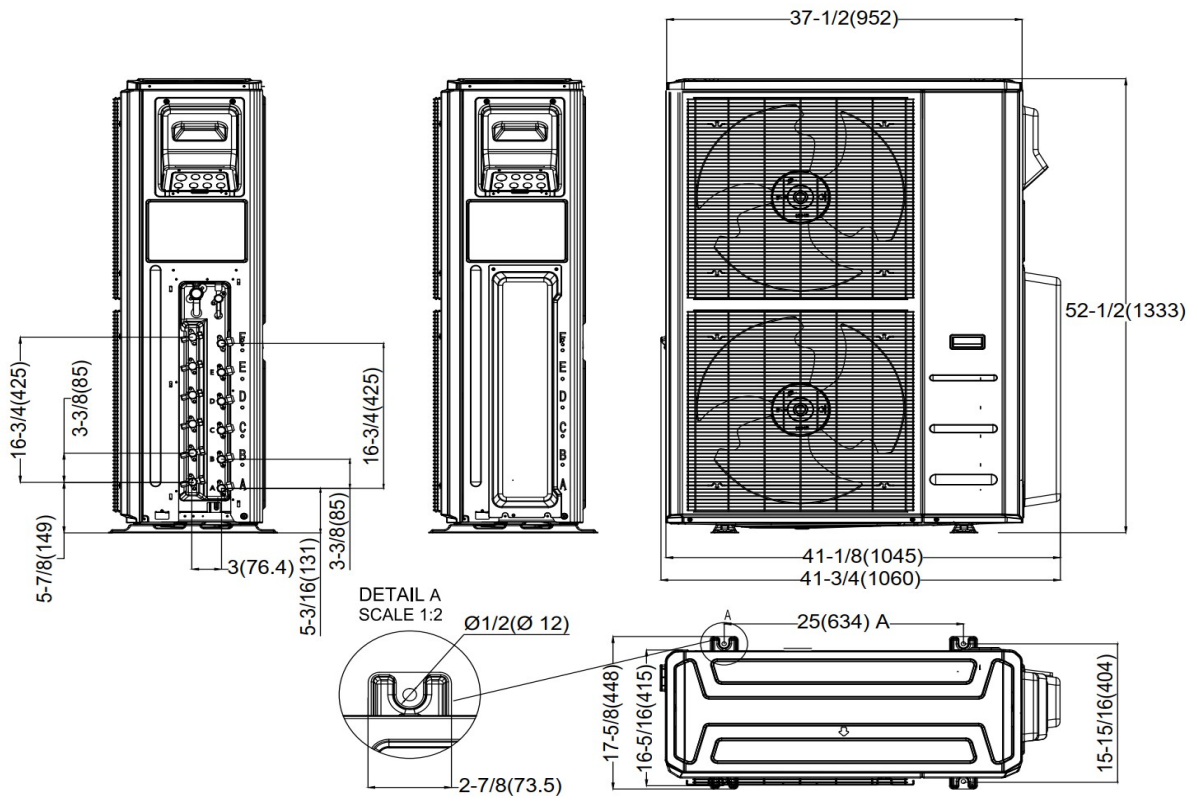
1. Rated Heating Conditions: Indoor: 70°F DB/60°F WB  
 Outdoor: 47°F DB/43°F WB

2. Rated Heating Conditions: Indoor: 70°F DB/60°F WB  
 Outdoor: 17°F DB/15°F WB

3. Heating Conditions, Compressor Operating at Max. Frequency Indoor: 70°F DB/60°F WB  
 Outdoor: 5°F DB/5°F WB

PIPING	
Liquid Size	6x1/4in (6x6.35mm)
Gas Size	4x3/8in+2x1/2in (4x9.52mm+2x12.7mm)
Drain Size	5/8in (15.88mm)
Max. Piping Length for all rooms	262.4ft (80m)
Max. Piping Length for one IDU	114.8ft (35m)
Max. Height Difference of IDU and ODU	49.2ft (15m)
Refrigerant Pre-charged Amount	151.68oz (4300g)
Refrigerant Precharge Length	24.6ft (7.5m)x6
Additional Charge of Refrigerant (Φ6.35 (1/4") liquid pipe)	0.16oz/ft (15g/m)
Additional Charge of Refrigerant (Φ9.52 (3/8") liquid pipe)	0.32oz/ft (30g/m)
Connection Method	Flared

## Outdoor Unit Dimension



## Installation Instruction

