



**Location:** \_\_\_\_\_  
**Engineer:** \_\_\_\_\_  
**Submitted to:** \_\_\_\_\_  
**Submitted by:** \_\_\_\_\_  
**Reference:** \_\_\_\_\_

**Model Number:** A6MO23-48N2-M1H  
**Approval:** \_\_\_\_\_  
**Date:** \_\_\_\_\_  
**Construction:** \_\_\_\_\_  
**Unit #:** \_\_\_\_\_  
**Drawing #:** \_\_\_\_\_



OUTDOOR SPECIFICATION		
Compressor Type		TWIN-ROTARY
Refrigerant		R454B
Factory Charge		1300ml
Refrigerant Oil		VG75
Outdoor Air Flow (Max) (CFM)		4503
Outdoor Noise Level (dBA)		65.0
Dimension (W×D×H)	inch	37-1/2 x 16-3/8 x 52-1/2
	mm	952 x 415 x 1333
Package (W×D×H)	inch	43-1/8 x 19-1/2 x 58-1/4
	mm	1095 x 495 x 1480
Net/Gross Weight	lbs	246/277
	kg	111.8/125.5

EFFICIENCY			
Cooling		Heating	
SEER2	21.2	HSPF2-4	10.2
EER2	12.0	COP	3.6

PERFORMANCE of Cooling	
Cooling (Btu/hr)	
Rated Capacity	45000
Min/Max Capacity	12000~55000
Moisture Removal	3.6
Standard Operating Range	-22°F~-122°F (-30°C~50°C)

Rated Cooling Conditions: Indoor: 80°F DB/67°F WB  
Outdoor: 95°F DB/75°F WB

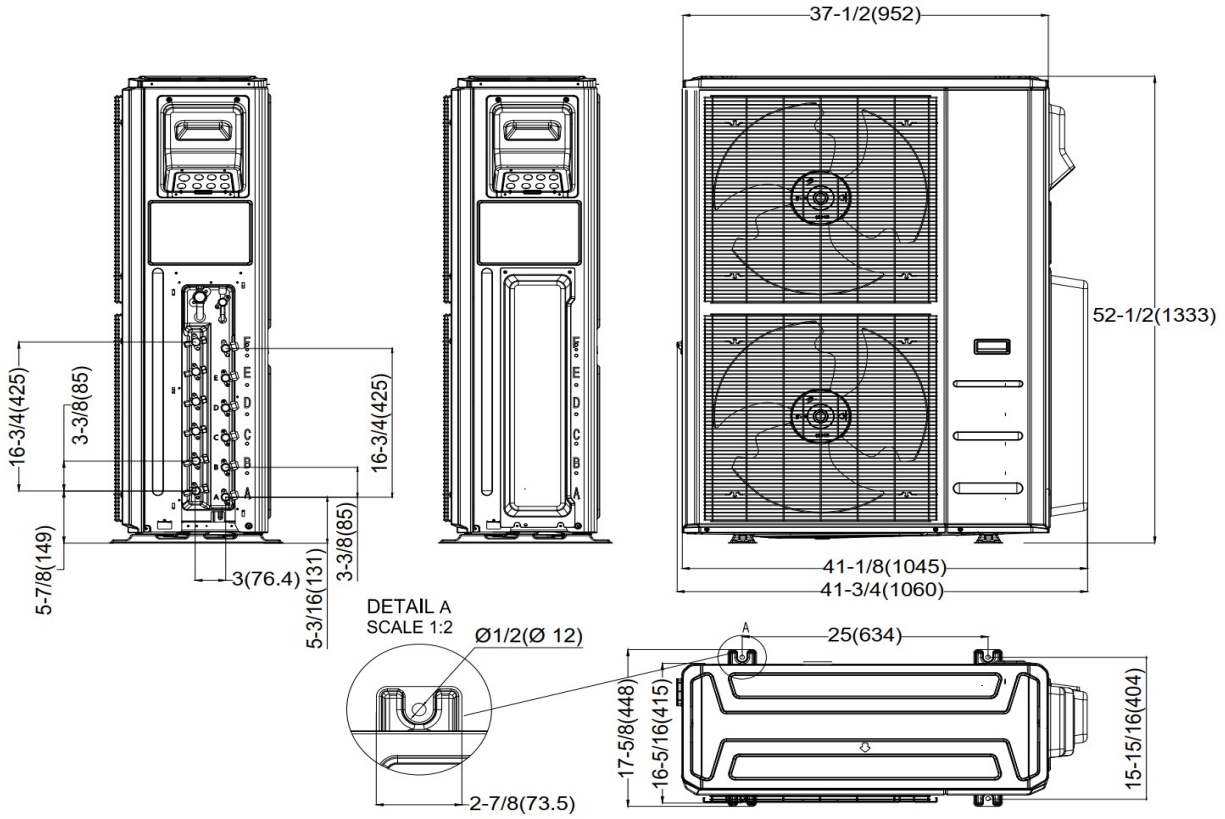
PERFORMANCE of Heating	
Heating (Btu/hr)	
1. @ 47°F Rated (Min/Max)	49000(13000~55000)
2. @ 17°F Rated	40500
3. @ 5°F Max: Capacity / COP	48000/2
Standard Operating Range	-22°F~-75°F (-30°C~24°C)

1. Rated Heating Conditions: Indoor: 70°F DB/60°F WB  
 Outdoor: 47°F DB/43°F WB  
 2. Rated Heating Conditions: Indoor: 70°F DB/60°F WB  
 Outdoor: 17°F DB/15°F WB  
 3. Heating Conditions, Compressor Operating at Max. Frequency Indoor: 70°F DB/60°F WB  
 Outdoor: 5°F DB/5°F WB

ELECTRICAL	
Power Supply	208/230V,60Hz,1Ph
System MCA	37
Connection Wiring	AWG 14-4
System MOC	40
Compressor RLA	27
Outdoor Fan Motor RLA	2.5
Outdoor Fan Motor W	85
Indoor Fan Motor RLA	/
Indoor Fan Motor W	/
System Power Input @ Cooling (W)	3750/(800 ~ 5600)
System Power Input @ Heating (W)	3989/(800 ~ 5200)
MCA: Min. circuit amps (A)	MOC: Max. over current protection (A)
RLA: Rated load amps (A)	W: Fan motor rated output (W)

PIPING	
Liquid Size	6x1/4in (6x6.35mm)
Gas Size	4x3/8in+2x1/2in (4x9.52mm+2x12.7mm)
Drain Size	5/8in (15.88mm)
Max. Piping Length for all rooms	262.4ft (80m)
Max. Piping Length for one IDU	114.8ft (35m)
Max. Height Difference of IDU and ODU	49.2ft (15m)
Refrigerant Pre-charged Amount	151.68oz (4300g)
Refrigerant Precharge Length	24.6ft (7.5m)x6
Additional Charge of Refrigerant (Φ6.35 (1/4") liquid pipe)	0.16oz/ft (15g/m)
Additional Charge of Refrigerant (Φ9.52 (3/8") liquid pipe)	0.32oz/ft (30g/m)
Connection Method	Flared

## Outdoor Unit Dimension



## Installation Instruction

