



Location: \_\_\_\_\_  
 Engineer: \_\_\_\_\_  
 Submitted to: \_\_\_\_\_  
 Submitted by: \_\_\_\_\_  
 Reference: \_\_\_\_\_

Model Number: A6MO23-55N2-M1H  
 Approval: \_\_\_\_\_  
 Date: \_\_\_\_\_  
 Construction: \_\_\_\_\_  
 Unit #: \_\_\_\_\_  
 Drawing #: \_\_\_\_\_



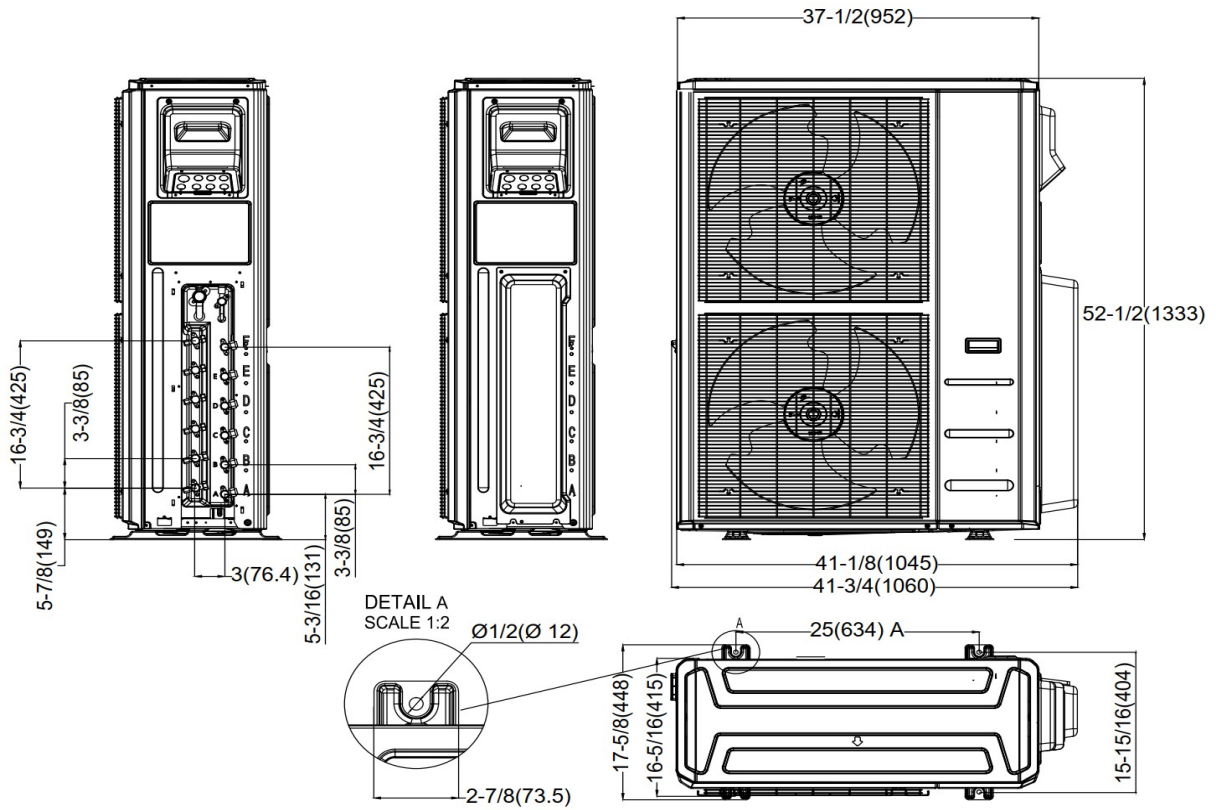
OUTDOOR SPECIFICATION		
Compressor Type	TWIN-ROTARY	
Refrigerant	R454B	
Factory Charge	1300ml	
Refrigerant Oil	VG75	
Outdoor Air Flow (Max) (CFM)	4503	
Outdoor Noise Level (dBA)	65.0	
Dimension (W×D×H)	inch	37-1/2 x 16-3/8 x 52-1/2
	mm	952 x 415 x 1333
Package (W×D×H)	inch	43-1/8 x 19-1/2 x 58-1/4
	mm	1095 x 495 x 1480
Net/Gross Weight	lbs	246/277
	kg	111.8/125.5

EFFICIENCY			
Cooling		Heating	
SEER2	20.0	HSPF2-4	10.7
EER2	11.7	COP	3.7
PERFORMANCE of Cooling			
Cooling (Btu/hr)			
Rated Capacity	53000		
Min/Max Capacity	19000~60000		
Moisture Removal	1.1		
Standard Operating Range	-22°F~-122°F (-30°C~50°C)		
Rated Cooling Conditions:		Indoor: 80°F DB/67°F WB Outdoor: 95°F DB/75°F WB	
PERFORMANCE of Heating			
Heating (Btu/hr)			
1. @ 47°F Rated (Min/Max)	55000(20000~61000)		
2. @ 17°F Rated	45000		
3. @ 5°F Max: Capacity / COP	48000/2.1		
Standard Operating Range	-22°F~-75°F (-30°C~24°C)		
1. Rated Heating Conditions:		Indoor: 70°F DB/60°F WB Outdoor: 47°F DB/43°F WB	
2. Rated Heating Conditions:		Indoor: 70°F DB/60°F WB Outdoor: 17°F DB/15°F WB	
3. Heating Conditions, Compressor Operating at Max. Frequency		Indoor: 70°F DB/60°F WB Outdoor: 5°F DB/5°F WB	

ELECTRICAL	
Power Supply	208/230V,60Hz,1Ph
System MCA	39.5
Connection Wiring	AWG 14-4
System MOCP	40
Compressor RLA	28
Outdoor Fan Motor RLA	2.5
Outdoor Fan Motor W	85
Indoor Fan Motor RLA	/
Indoor Fan Motor W	/
System Power Input @ Cooling (W)	4530/(1200 ~ 6100)
System Power Input @ Heating (W)	4356/(1200 ~5100)
MCA: Min. circuit amps (A)	MOCP: Max. over current protection (A)
RLA: Rated load amps (A)	W: Fan motor rated output (W)

PIPING	
Liquid Size	6x1/4in (6x6.35mm)
Gas Size	4x3/8in+2x1/2in (4x9.52mm+2x12.7mm)
Drain Size	5/8in (15.88mm)
Max. Piping Length for all rooms	262.4ft (80m)
Max. Piping Length for one IDU	114.8ft (35m)
Max. Height Difference of IDU and ODU	49.2ft (15m)
Refrigerant Pre-charged Amount	151.68oz (4300g)
Refrigerant Precharge Length	24.6ft (7.5m)x6
Additional Charge of Refrigerant (Φ6.35 (1/4") liquid pipe)	0.16oz/ft (15g/m)
Additional Charge of Refrigerant (Φ9.52 (3/8") liquid pipe)	0.32oz/ft(30g/m)
Connection Method	Flared

## Outdoor Unit Dimension



## Installation Instruction

