



Model Number: AUO18-36N2-M3 / AUE-36N2-LM3E

Location: \_\_\_\_\_  
 Engineer: \_\_\_\_\_  
 Submitted to: \_\_\_\_\_  
 Submitted by: \_\_\_\_\_  
 Reference: \_\_\_\_\_

Approval: \_\_\_\_\_  
 Date: \_\_\_\_\_  
 Construction: \_\_\_\_\_  
 Unit #: \_\_\_\_\_  
 Drawing #: \_\_\_\_\_



| INDOOR SPECIFICATION                  |      |                               |
|---------------------------------------|------|-------------------------------|
| ESP(in.W.G)                           |      | 0-0.8                         |
| Indoor Air Flow (Turbo/H/M/L/S) (CFM) |      | 1189 / 1083 / 971 / 865 / 865 |
| Indoor Noise Level (T/H/M/L/S) (dBA)  |      | 52 / 52 / 49 / 37 / 37        |
| Dimension (W×D×H)                     | inch | 22 x 19 x 40                  |
|                                       | mm   | 559 x 483 x 1017              |
| Package (W×D×H)                       | inch | 24-5/8 x 22-7/8 x 47          |
|                                       | mm   | 625 x 580 x 1193              |
| Net/Gross Weight                      | lbs  | 110 / 131                     |
|                                       | kg   | 49.7 / 59.3                   |

| OUTDOOR SPECIFICATION        |      |                          |
|------------------------------|------|--------------------------|
| Compressor Type              |      | ROTARY                   |
| Refrigerant                  |      | R454B                    |
| Factory Charge               |      | 1000                     |
| Refrigerant Oil              |      | VG74                     |
| Outdoor Air Flow (Max) (CFM) |      | 2413                     |
| Outdoor Noise Level (dBA)    |      | 62                       |
| Dimension (W×D×H)            | inch | 37-1/4 x 16-1/8 x 31-7/8 |
|                              | mm   | 946 x 410 x 810          |
| Package (W×D×H)              | inch | 42-7/8 x 19-5/8 x 34-7/8 |
|                              | mm   | 1090 x 500 x 885         |
| Net/Gross Weight             | lbs  | 153 / 164                |
|                              | kg   | 69.5 / 74.2              |

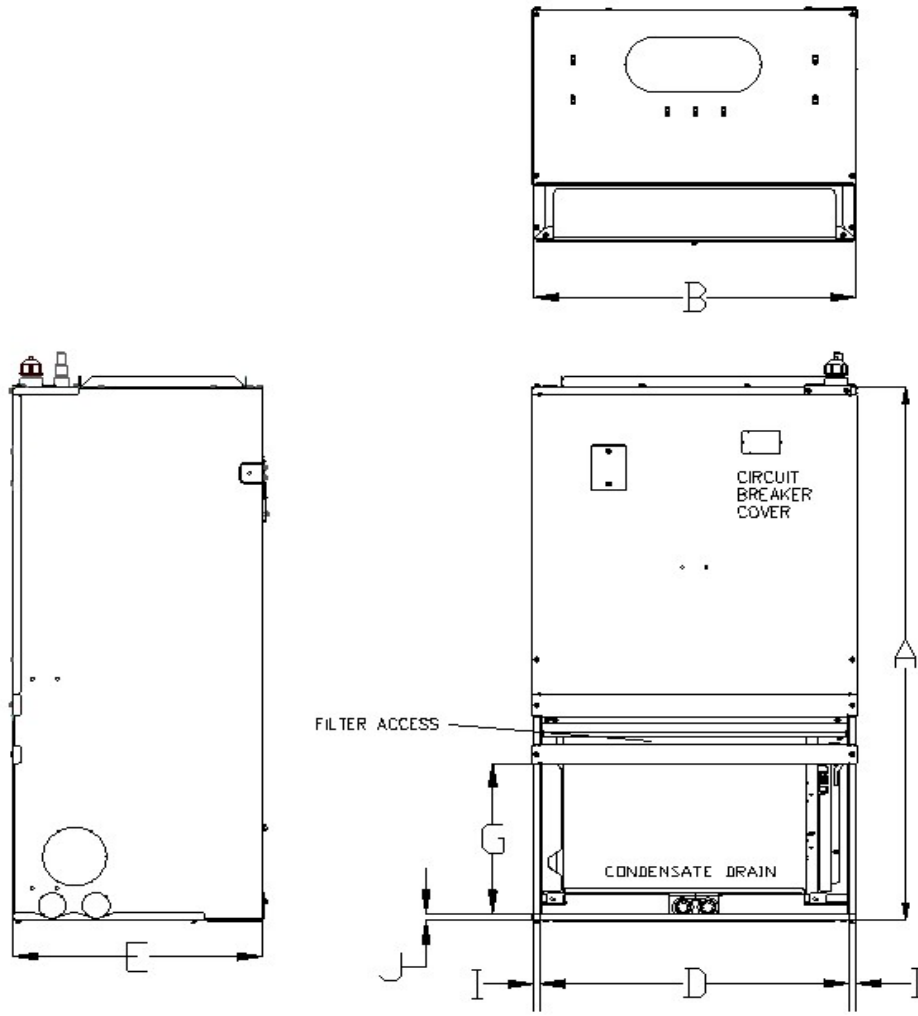
| EFFICIENCY |      |         |     |
|------------|------|---------|-----|
| Cooling    |      | Heating |     |
| SEER2      | 16.7 | HSPF2-4 | 9.3 |
| EER2       | 10.2 | COP     | 3.3 |

| PERFORMANCE of Cooling    |   |
|---------------------------|---|
| Cooling (Btu/hr)          |   |
| Rated Capacity            | 36000   |
| Min/Max Capacity          | 11800~39000   |
| Moisture Removal          | 3.37  |
| Standard Operating Range  | -22°F~-122°F (-25°C~50°C)                           |
| Rated Cooling Conditions: | Indoor: 80°F DB/67°F WB<br>Outdoor: 95°F DB/75°F WB |

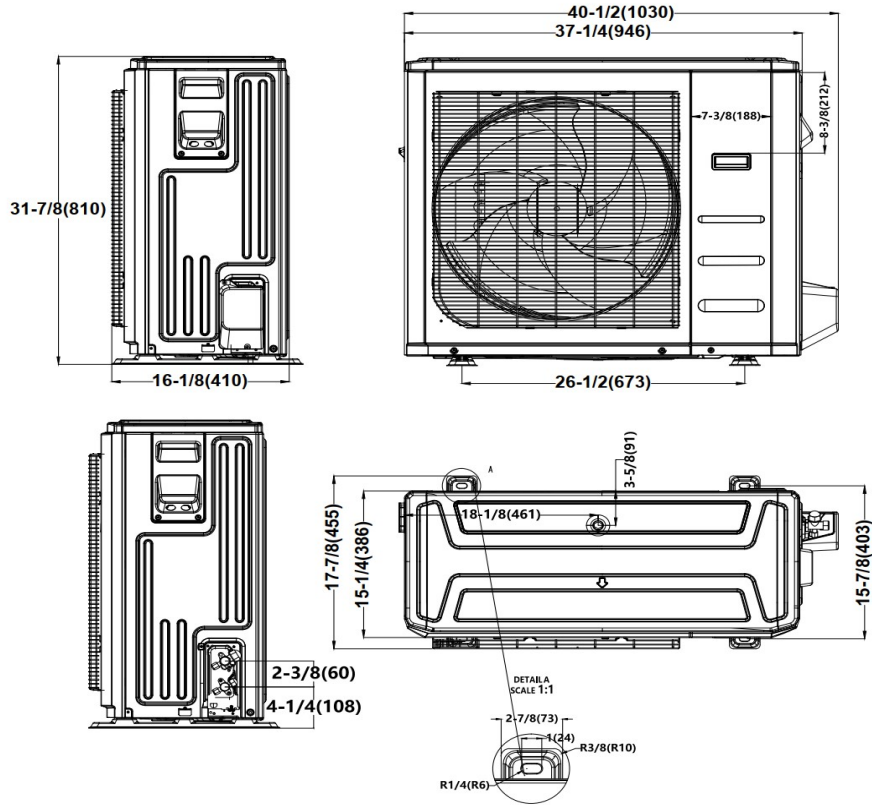
| PERFORMANCE of Heating  |   |
|---|---|
| Heating (Btu/hr)  |   |
| 1. @ 47°F Rated (Min/Max)                                     | 37000(6900~41000)                                   |
| 2. @ 17°F Rated   | 24800   |
| 3. @ 5°F Max: Capacity / COP                                  | 29200/2.0   |
| Standard Operating Range                                      | -22°F ~75°F (-25°C~24°C)                            |
| 1. Rated Heating Conditions:                                  | Indoor: 70°F DB/60°F WB<br>Outdoor: 47°F DB/43°F WB |
| 2. Rated Heating Conditions:                                  | Indoor: 70°F DB/60°F WB<br>Outdoor: 17°F DB/15°F WB |
| 3. Heating Conditions, Compressor Operating at Max. Frequency | Indoor: 70°F DB/60°F WB<br>Outdoor: 5°F DB/5°F WB   |

| ELECTRICAL                       |  |  |
|----------------------------------|--|--|
| Indoor Power Supply              | 115V/208/230V,60Hz,1Ph                 |  |
| Indoor MCA 115V/(208/230V)       | 6.5                                    |  |
| Indoor MOP                       | 15.0                                   |  |
| Outdoor Power Supply             | 208/230V,60Hz,1Ph                      |  |
| Outdoor MCA                      | 24.0                                   |  |
| Outdoor MOP                      | 30.0                                   |  |
| Connection Wiring                | AWG 20-2                               |  |
| Compressor RLA                   | 17.5                                   |  |
| Outdoor Fan Motor RLA            | 1.5                                    |  |
| Outdoor Fan Motor W              | /                                      |  |
| Indoor Fan Motor RLA             | 5                                      |  |
| Indoor Fan Motor W               | 375                                    |  |
| System Power Input @ Cooling (W) | 3529 ( 760 ~ 4090)                     |  |
| System Power Input @ Heating (W) | 3189 ( 490 ~3710)                      |  |
| MCA: Min. circuit amps (A)       | MOCP: Max. over current protection (A) |  |
| RLA: Rated load amps (A)         | W: Fan motor rated output (W)          |  |

| PIPING                           |                  |
|----------------------------------|------------------|
| Liquid Size                      | 3/8in (9.52mm)   |
| Gas Size                         | 3/4in (19mm)     |
| Drain Size                       | 5/8in (15.88mm)  |
| Max. Piping Length               | 246ft (75m)      |
| Max. Height Difference           | 98ft (30m)       |
| Max. Pre-charged Length          | 24.6ft (7.5m)    |
| Refrigerant Pre-charged Amount   | 116oz (3300g)    |
| Additional Charge of Refrigerant | 0.7oz/ft (65g/m) |
| Connection Method                | Flared           |



| Dimensions |                                    | Model(Btu/h) | 18K/24K  |       | 30K/36K  |       |
|------------|------------------------------------|--------------|----------|-------|----------|-------|
|            |                                    |              | inch     | mm    | inch     | mm    |
| A          | Model Height                       |              | 36-1/2   | 928   | 40       | 1017  |
| B          | Model Width                        |              | 20-1/4   | 515   | 22       | 559   |
| C          | Supply Air Opening Width           |              | 17-13/32 | 442   | 18-27/32 | 478.6 |
| D          | Return Air Opening Width           |              | 19-7/16  | 493.8 | 21-5/32  | 537.8 |
| E          | Model Depth                        |              | 15-3/4   | 399   | 19       | 483   |
| F          | Supply Air Opening Depth           |              | 10-7/16  | 265.2 | 9-9/32   | 235.4 |
| G          | Return Air Opening Depth           |              | 10-9/32  | 261   | 13-2/32  | 332.5 |
| H          | Supply Air Opening Clearance       |              | 1-5/32   | 29.1  | 1-5/8    | 41    |
| I          | Return Air Opening Side Clearance  |              | 13/32    | 10.6  | 13/32    | 10.6  |
| J          | Return Air Opening Front Clearance |              | 15/32    | 12    | 5/8      | 16    |

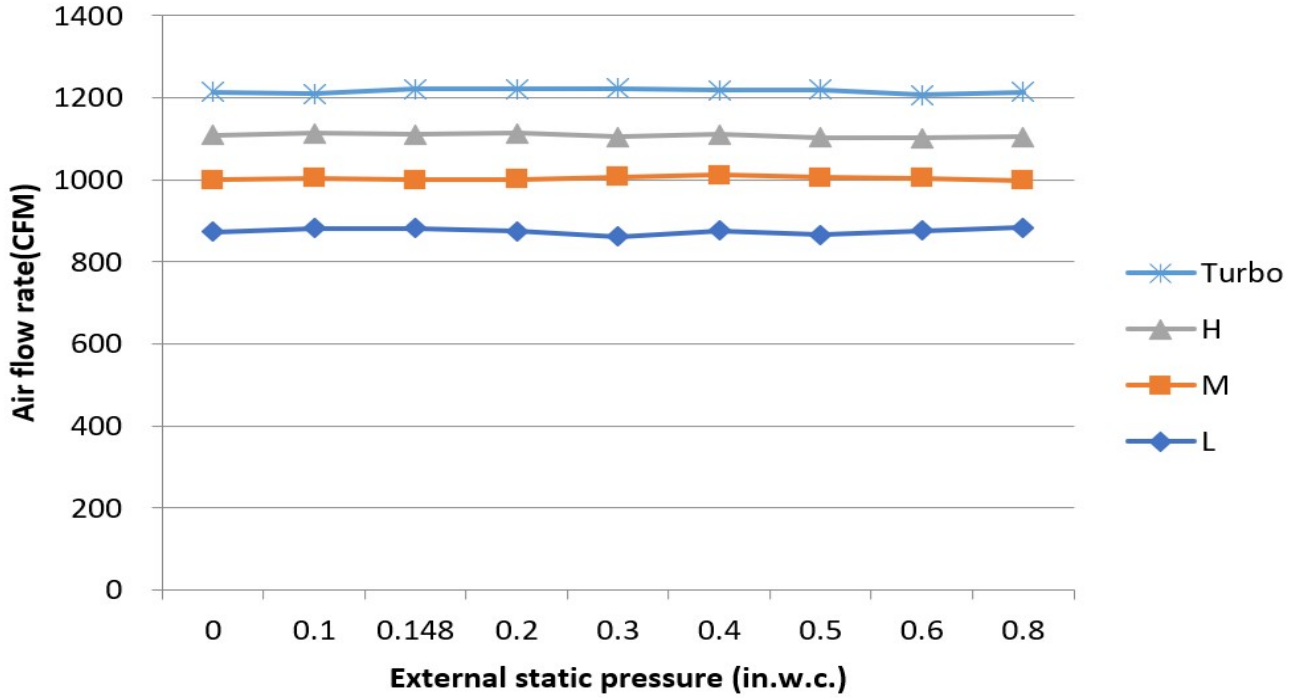


Installation Instruction



☑ Meets all special requirements shown in Installation Clearance Requirements above.

# 36K



## Features

- Multi-position of return air: front(factory standard) or bottom
- Aluminum Coil
- Constantly Air Flow system up to 0.80 In.W.G
- Optional Auxiliary heat kit up to 10kW
- Easy Maintenance
- Multiple controller options available:
  - Optional two way communication wired controller, programmable:120N(X6)
  - Optional two way communication wired controller, programmable, with built-in WiFi, :120N(X6W)
  - Standard Wireless remote controller
  - Can connect with Third-Party 24V Thermostat
- High efficiency up to 18.5 SEER2, 11.5 EER2, 9.4 HSPF2
- Chassis heater and crankcase heater pre-bulit as standard