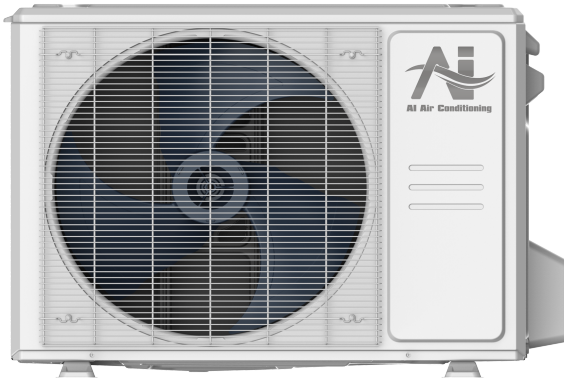
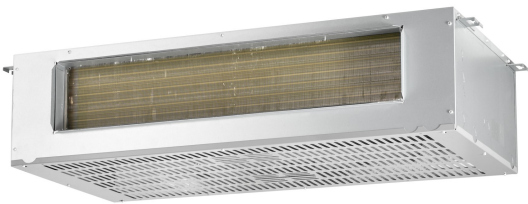




Model Number: AU018-18N2-M3 / AUP-18N2-HM3

Location: _____
 Engineer: _____
 Submitted to: _____
 Submitted by: _____
 Reference: _____

Approval: _____
 Date: _____
 Construction: _____
 Unit #: _____
 Drawing #: _____



INDOOR SPECIFICATION		
ESP(in.W.G)		0-0.8
Indoor Air Flow (Turbo/H/M/L/Si) (CFM)		600 / 565 / 530 / 489 / 489
Indoor Noise Level (Turbo/H/M/L/Si)		55.5 / 55.5 / 52.5 / 50.5 / 50.5
Dimension (W×D×H)	inch	43-1/4 x 23-3/8 x 11
	mm	1098 x 593 x 278
Package (W×D×H)	inch	47-1/4 x 26-3/4 x 13-5/8
	mm	1200 x 680 x 345
Net/Gross Weight	lbs	54 / 58
	kg	53.5 / 58

OUTDOOR SPECIFICATION		
Compressor Type		ROTARY
Refrigerant		R454B
Factory Charge		440ml
Refrigerant Oil		VG74
Outdoor Air Flow (Max) (CFM)		1,451
Outdoor Noise Level (dBA)		56
Dimension (W×D×H)	inch	31-3/4 x 13 x 21-3/4
	mm	805 x 330 x 554
Package (W×D×H)	inch	36 x 14-5/8 x 24-1/4
	mm	915 x 370 x 615
Net/Gross Weight	lbs	77 / 84
	kg	35 / 38

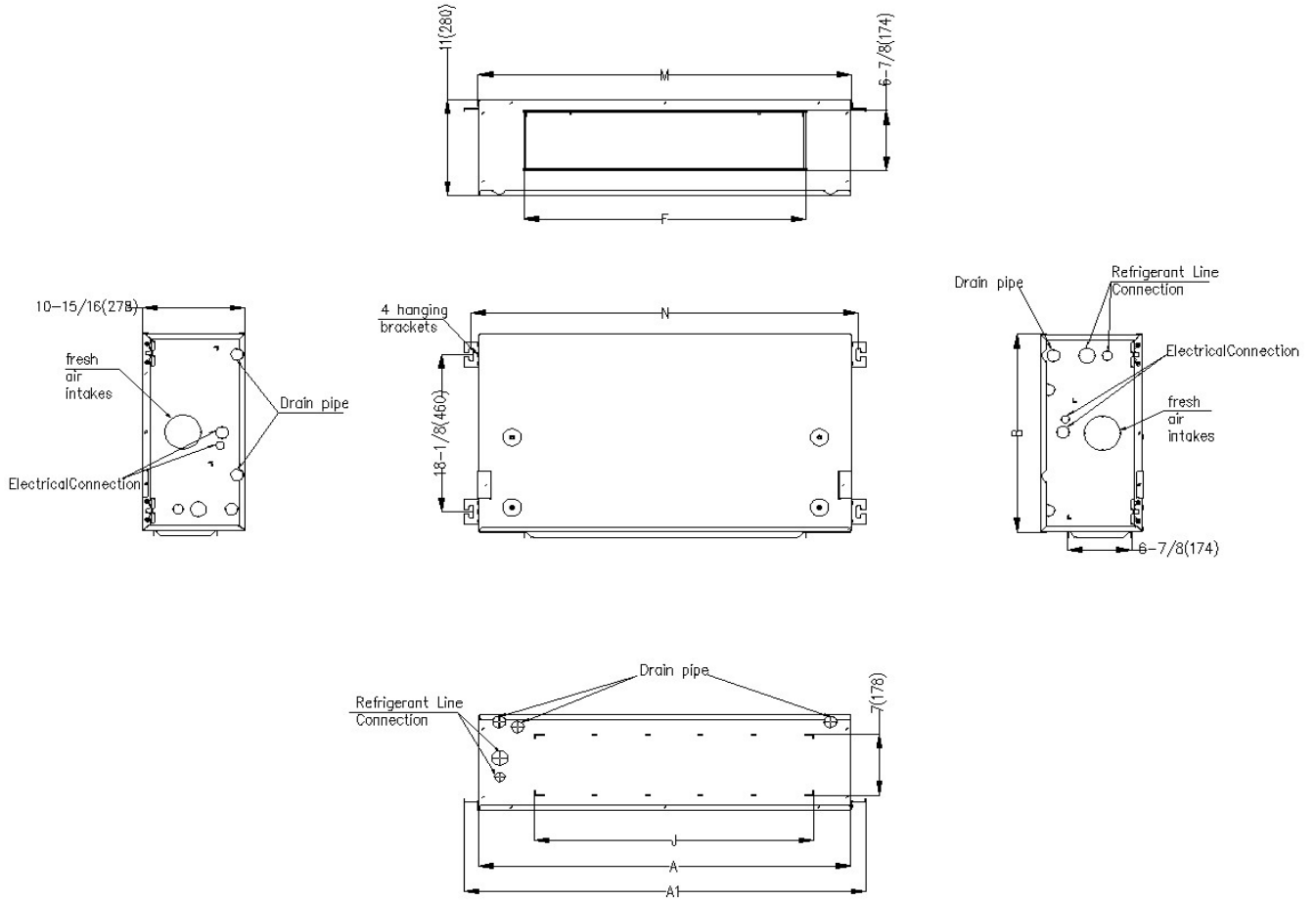
EFFICIENCY			
Cooling		Heating	
SEER2	16.8	HSPF2-4	8.8
EER2	11.5	COP	3.5

PERFORMANCE of Cooling	
Cooling (Btu/hr)	
Rated Capacity	18,000
Min/Max Capacity	6,000~20,000
Moisture Removal	1.46
Standard Operating Range	-13°F~122°F (-25°C~50°C)
Rated Cooling Conditions:	Indoor: 80°F DB/67°F WB Outdoor: 95°F DB/75°F WB

PERFORMANCE of Heating	
Heating (Btu/hr)	
1. @ 47°F Rated (Min/Max)	18000(5500~19600)
2. @ 17°F Rated	11,800
3. @ 5°F Max: Capacity / COP	11,400/1.8
Standard Operating Range	-13°F ~75°F (-25°C~24°C)
1. Rated Heating Conditions:	Indoor: 70°F DB/60°F WB Outdoor: 47°F DB/43°F WB
2. Rated Heating Conditions:	Indoor: 70°F DB/60°F WB Outdoor: 17°F DB/15°F WB
3. Heating Conditions, Compressor Operating at Max. Frequency	Indoor: 70°F DB/60°F WB Outdoor: 5°F DB/5°F WB

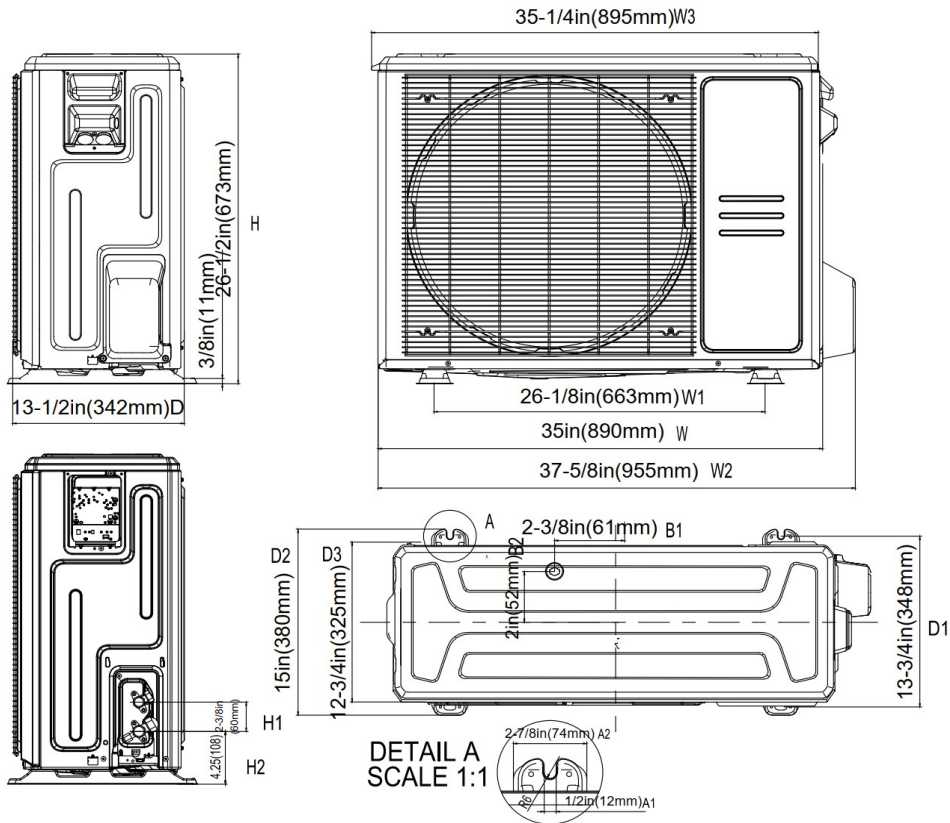
ELECTRICAL	
Indoor Power Supply	115/208/230,60Hz,1Ph
Indoor MCA 115V/(208/230V)	115V:6;208/230V:5
Indoor MOP	15
Outdoor Power Supply	115/208/230,60Hz,1Ph
Outdoor MCA	16
Outdoor MOP	20
Communication Wiring	AWG 20/2
Compressor RLA	10
Outdoor Fan Motor RLA	0.8
Outdoor Fan Motor W	34
Indoor Fan Motor RLA	115V:4;208/230V:3.5
Indoor Fan Motor W	250
System Power Input @ Cooling (W)	1,565(600 ~ 1,900)
System Power Input @ Heating (W)	1,512(390 ~1,700)
MCA: Min. circuit amps (A)	MOCP: Max. over current protection (A)
RLA: Rated load amps (A)	W: Fan motor rated output (W)

PIPING	
Liquid Size	3/8in (9.52mm)
Gas Size	3/4in (19mm)
Drain Size	5/8in (15.88mm)
Max. Piping Length	98ft (30m)
Max. Height Difference	66ft (20m)
Max. Pre-charged Length	25ft (7.5m)
Refrigerant Pre-charged Amount	51oz (1450g)
Additional Charge of Refrigerant	0.7oz/ft (65g/m)
Connection Method	Flared

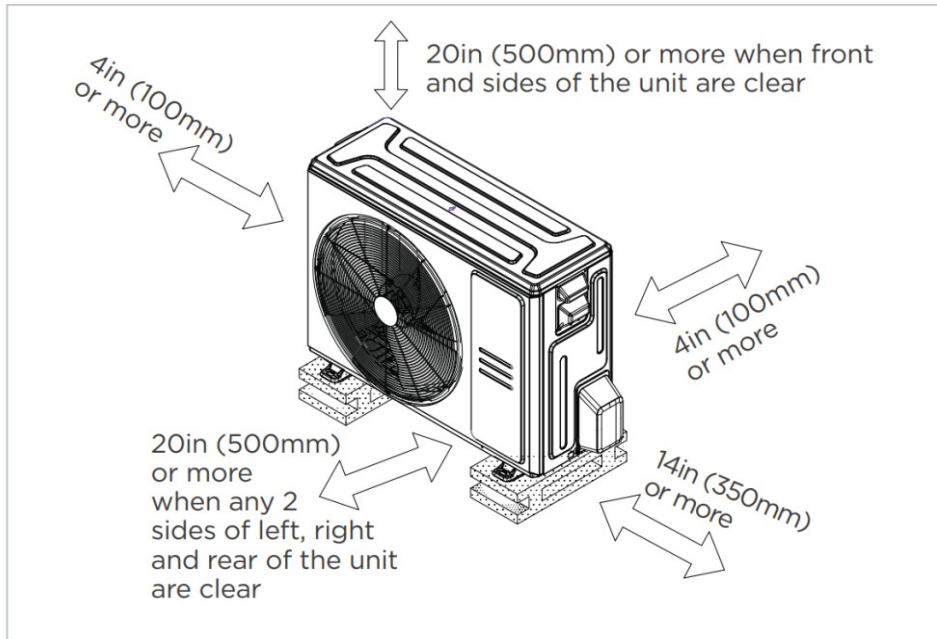


	18K		24K		30K		36K	
	inch	mm	inch	mm	inch	mm	inch	mm
A	39-15/16	1015	45-7/8	1165	51-15/16	1320	58-7/8	1495
A1	43-1/4	1098	49-1/8	1248	55-1/4	1403	62-1/8	1578
J	30	761	35-7/8	911	41-15/16	1066	48-7/8	1241
D	41-5/8	1057	47-1/2	1207	53-5/8	1362	60-1/2	1537
F	30-1/4	769	36-3/16	919	42-5/16	1074	49-3/16	1249
H	36-5/8	930	39-3/4	1010	47-5/8	1210	53-15/16	1370
M	40-3/16	1020	46-1/16	1170	52-3/16	1325	59-1/16	1500
N	41-5/8	1057	40-7/16	1027	53-5/8	1362	60 1/2	1537

Outdoor Unit Dimension

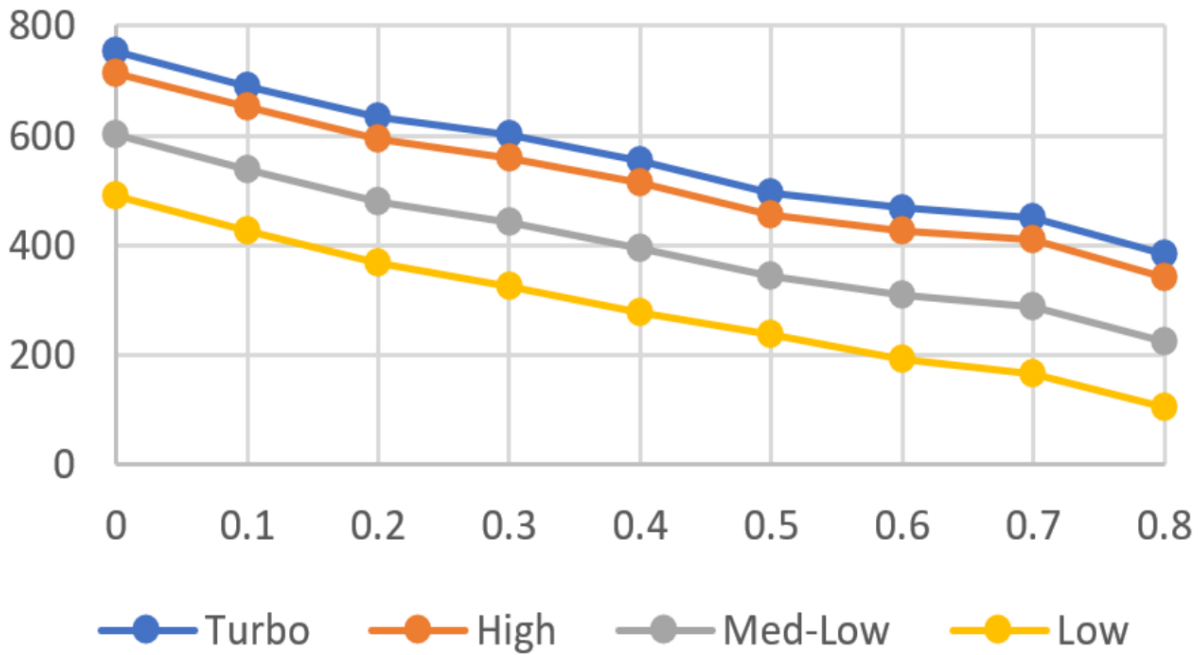


Installation Instruction



Meets all special requirements shown in Installation Clearance Requirements above.

18K



Features

- High efficiency up to 16.8 SEER2, 11.5 EER2, 8.8 HSPF2
- Aluminum Coil
- IDU compatible with 115V and 230V
- Constantly Air Flow system up to 0.80 In.W.G
- Optional Auxiliary heat kit up to 10kW
- Easy Maintenance
- Multiple control options available:
 - Two way communication wired controller:120N(X6)
 - Two way communication wired controller with built-in WiFi:120N(X6W)
 - Wireless remote controller
 - Third-Party 24V Thermostat
- Adaptive Control wiring method on 24V and RS485
- Downward or Backward (optional) air inlet
- Chassis heater and crankcase heater equipped as standard