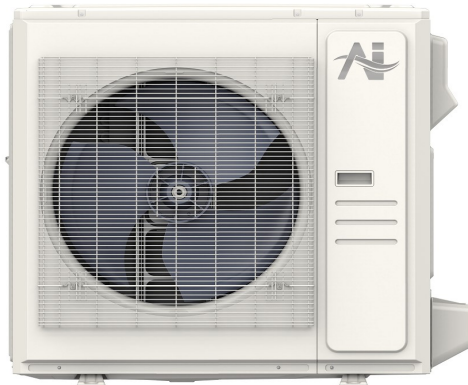




Model Number: AUO18-48N2-M3 / AUM-60N2-C28

Location: _____
 Engineer: _____
 Submitted to: _____
 Submitted by: _____
 Reference: _____

Approval: _____
 Date: _____
 Construction: _____
 Unit #: _____
 Drawing #: _____



INDOOR SPECIFICATION		
Dimension (W×D×H)	inch	21-5/8 x 21-1/2 x 27-3/4
	mm	549 x 546 x 706
Package (W×D×H)	inch	31-1/8 x 25 x 25-5/8
	mm	790 x 635 x 650
Net/Gross Weight	lbs	97 / 115
	kg	43.9 / 52.2

OUTDOOR SPECIFICATION		
Compressor Type	ROTARY	
Refrigerant	R454B	
Factory Charge	1800ml	
Refrigerant Oil	HAF68D1C	
Outdoor Air Flow (Max) (CFM)	3,037	
Outdoor Noise Level (dBA)	65	
Dimension (W×D×H)	inch	38-5/8 x 16-3/8 x 38-3/8
	mm	980 x 415 x 975
Package (W×D×H)	inch	45-1/8 x 19-5/8 x 42-1/2
	mm	1145 x 500 x 1080
Net/Gross Weight	lbs	193 / 224
	kg	87.5 / 101.7

EFFICIENCY			
Cooling		Heating	
SEER2	14.7	HSPF2-4	8.0
EER2	9.5	COP	2.8

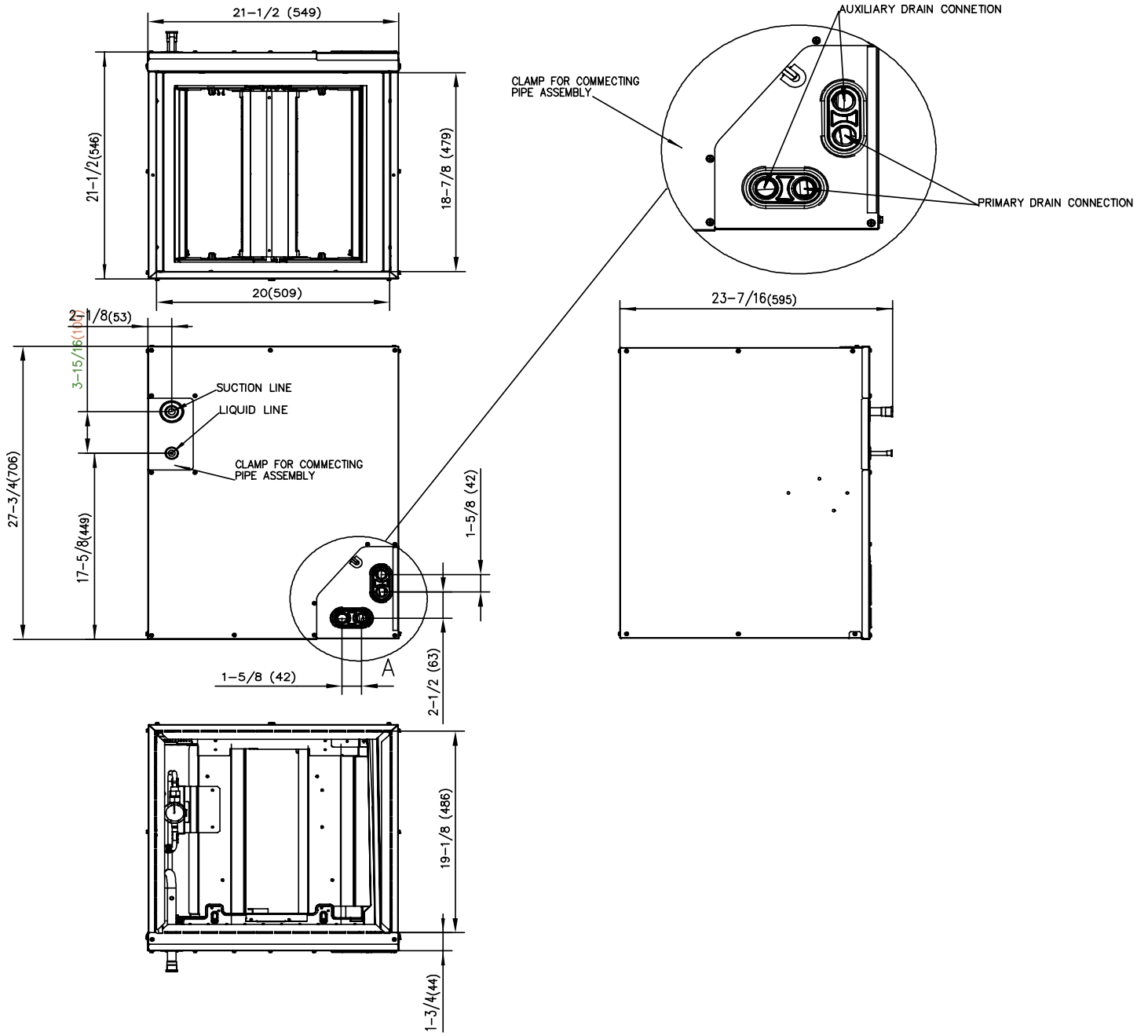
PERFORMANCE of Cooling	
Cooling (Btu/hr)	
Rated Capacity	47,000
Min/Max Capacity	15,500~47,000
Moisture Removal	4
Standard Operating Range	-13°F~122°F (-25°C~50°C)
Rated Cooling Conditions:	Indoor: 80°F DB/67°F WB Outdoor: 95°F DB/75°F WB

PERFORMANCE of Heating	
Heating (Btu/hr)	
1. @ 47°F Rated (Min/Max)	47,000(10,600~47,000)
2. @ 17°F Rated	30,000
3. @ 5°F Max: Capacity / COP	41,000/1.75
Standard Operating Range	-13°F~75°F (-25°C~24°C)
1. Rated Heating Conditions:	Indoor: 70°F DB/60°F WB Outdoor: 47°F DB/43°F WB
2. Rated Heating Conditions:	Indoor: 70°F DB/60°F WB Outdoor: 17°F DB/15°F WB
3. Heating Conditions, Compressor Operating at Max. Frequency	Indoor: 70°F DB/60°F WB Outdoor: 5°F DB/5°F WB

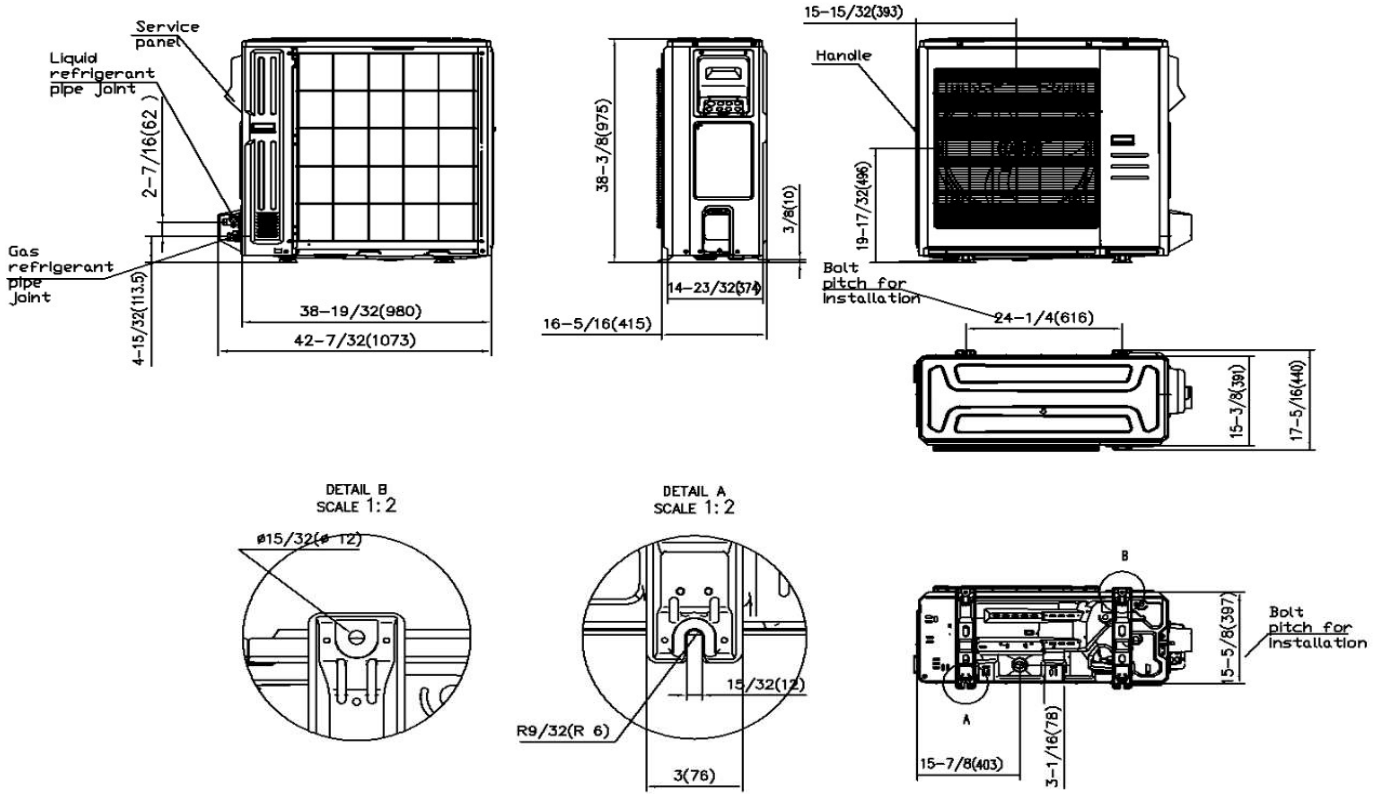
ELECTRICAL	
Indoor Power Supply	24V,60Hz,1Ph
Indoor MCA 115V/(208/230V)	/
Indoor MOP	/
Outdoor Power Supply	208/230,60Hz,1Ph
Outdoor MCA	36.0
Outdoor MOP	40.0
Communication Wiring	AWG 20/2
Compressor RLA	27.0
Outdoor Fan Motor RLA	2.0
Outdoor Fan Motor W	250.0
Indoor Fan Motor RLA	/
Indoor Fan Motor W	/
System Power Input @ Cooling (W)	4,950 (1,430~5,050)
System Power Input @ Heating (W)	5,010 (1,400~5,010)
MCA: Min. circuit amps (A)	MOCP: Max. over current protection (A)
RLA: Rated load amps (A)	W: Fan motor rated output (W)

PIPING	
Liquid Size	3/8in (9.52mm)
Gas Size	3/4iin (19mm)
Drain Size	5/8in (15.88mm)
Max. Piping Length	246ft (75m)
Max. Height Difference	98.4ft (30m)
Max. Pre-charged Length	24.6ft (7.5m)
Refrigerant Pre-charged Amount	134oz (3800g)
Additional Charge of Refrigerant	0.7oz/ft (65g/m)
Connection Method	Flared

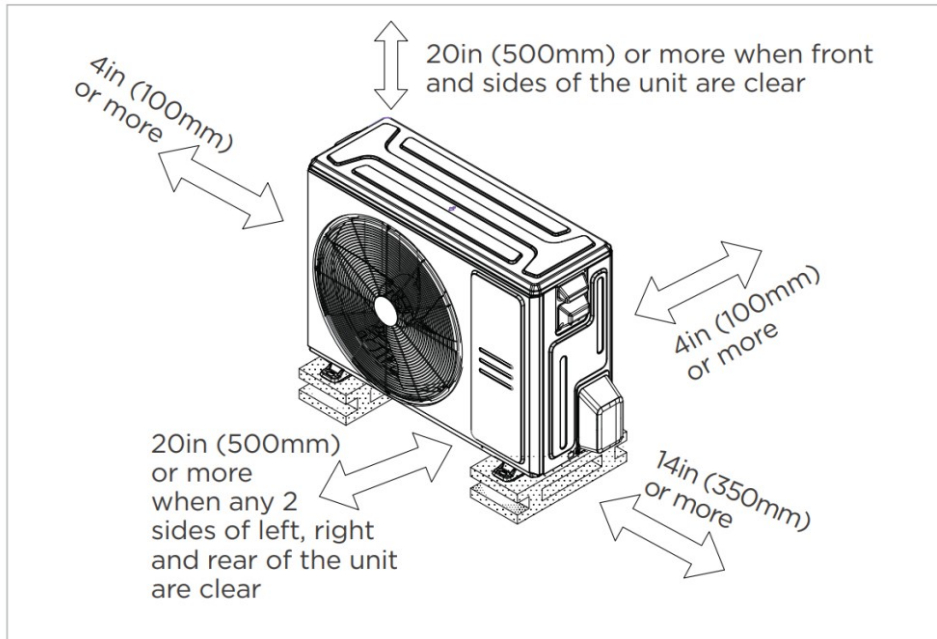
Indoor Unit Dimension



Outdoor Unit Dimension



Installation Instruction



Meets all special requirements shown in Installation Clearance Requirements above.

- Multi-position installation: horizontal(left or right), vertical(up or down)
- Aluminum Coil
- R454B refrigerant sensor
- Easy Maintenance
- Multiple control options available:
 - Two way communication wired controller with built-in WiFi:120N(X6W)
 - Third-Party 24V Thermostat