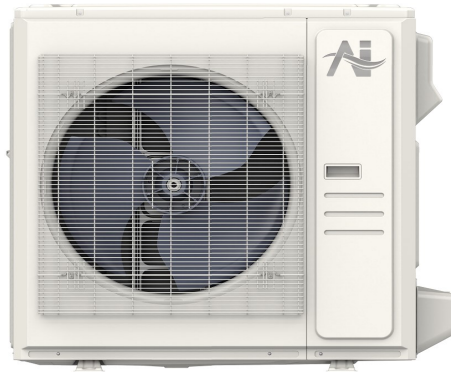




Model Number: AUO19-48N2-M3H / AUA-60N2-D28

Location: _____
 Engineer: _____
 Submitted to: _____
 Submitted by: _____
 Reference: _____

Approval: _____
 Date: _____
 Construction: _____
 Unit #: _____
 Drawing #: _____



| INDOOR SPECIFICATION | | |
|----------------------|------|--------------------------|
| Dimension (W×D×H) | inch | 24-1/2 x 21 x 28 |
| | mm | 622 x 533 x 711 |
| Package (W×D×H) | inch | 27-3/4 x 26-1/8 x 30-3/8 |
| | mm | 705 x 665 x 770 |
| Net/Gross Weight | lbs | 81 / 92 |
| | kg | 36.8 / 41.9 |

| OUTDOOR SPECIFICATION | | |
|------------------------------|------|--------------------------|
| Compressor Type | | ROTARY |
| Refrigerant | | R454B |
| Factory Charge | | 1800ml |
| Refrigerant Oil | | HAF68D1C |
| Outdoor Air Flow (Max) (CFM) | | 3,037 |
| Outdoor Noise Level (dBA) | | 65 |
| Dimension (W×D×H) | inch | 38-5/8 x 16-3/8 x 38-3/8 |
| | mm | 980 x 415 x 975 |
| Package (W×D×H) | inch | 45-1/8 x 19-5/8 x 42-1/2 |
| | mm | 1145 x 500 x 1080 |
| Net/Gross Weight | lbs | 201 / 232 |
| | kg | 91.2 / 105.4 |

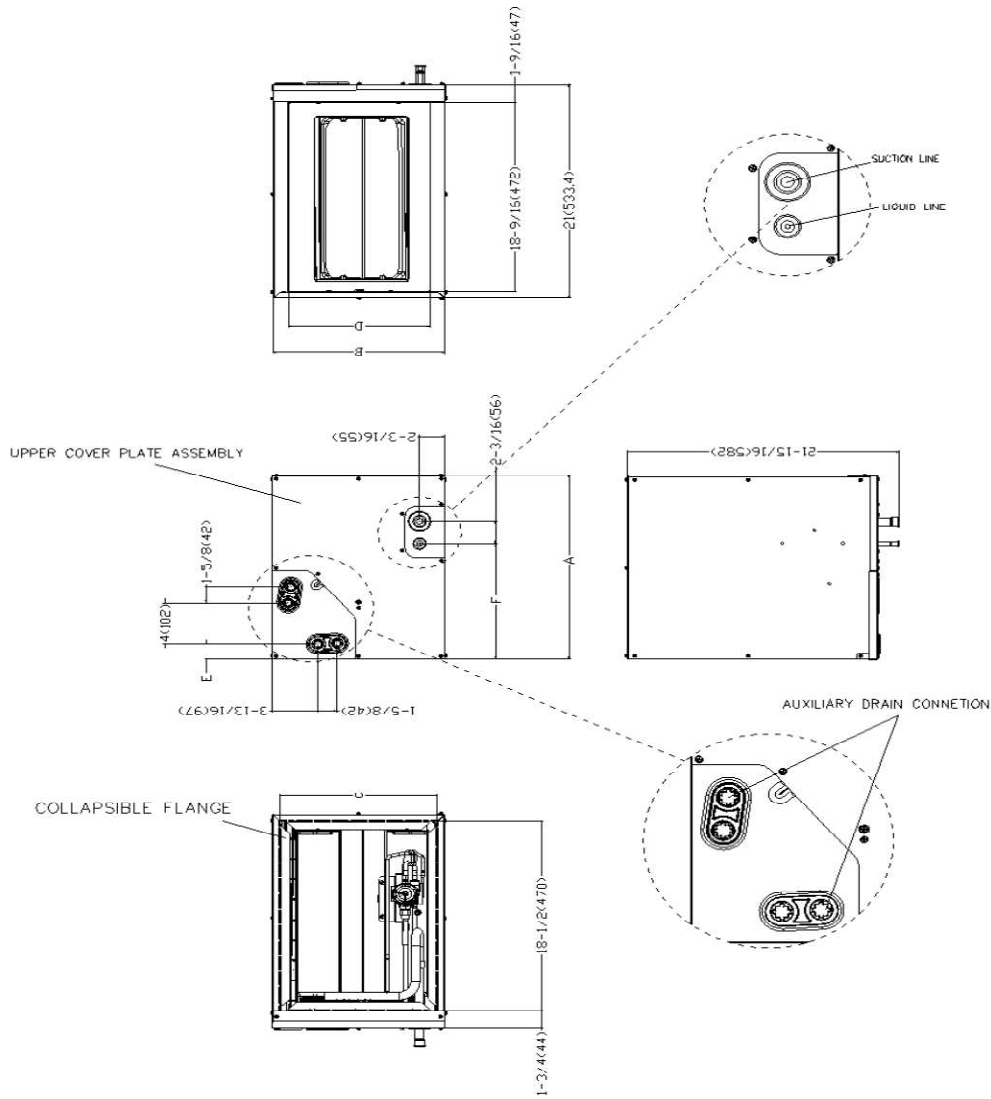
| EFFICIENCY | | | |
|------------|------|---------|-----|
| Cooling | | Heating | |
| SEER2 | 14.5 | HSPF2-4 | 8.4 |
| EER2 | 10.0 | COP | 3.2 |

| PERFORMANCE of Cooling | |
|---------------------------|---|
| Cooling (Btu/hr) | |
| Rated Capacity | 45,000 |
| Min/Max Capacity | 15,500~47,000 |
| Moisture Removal | 6.7 |
| Standard Operating Range | -22°F~122°F (-30°C~50°C) |
| Rated Cooling Conditions: | Indoor: 80°F DB/67°F WB Outdoor: 95°F DB/75°F WB |

| PERFORMANCE of Heating | |
|---|---|
| Heating (Btu/hr) | |
| 1. @ 47°F Rated (Min/Max) | 50,000(16,000~52,000) |
| 2. @ 17°F Rated | 34,400 |
| 3. @ 5°F Max: Capacity / COP | 42,000/1.85 |
| Standard Operating Range | -22°F~75°F (-30°C~24°C) |
| 1. Rated Heating Conditions: | Indoor: 70°F DB/60°F WB Outdoor: 47°F DB/43°F WB |
| 2. Rated Heating Conditions: | Indoor: 70°F DB/60°F WB Outdoor: 17°F DB/15°F WB |
| 3. Heating Conditions, Compressor Operating at Max. Frequency | Indoor: 70°F DB/60°F WB Outdoor: 5°F DB/5°F WB |

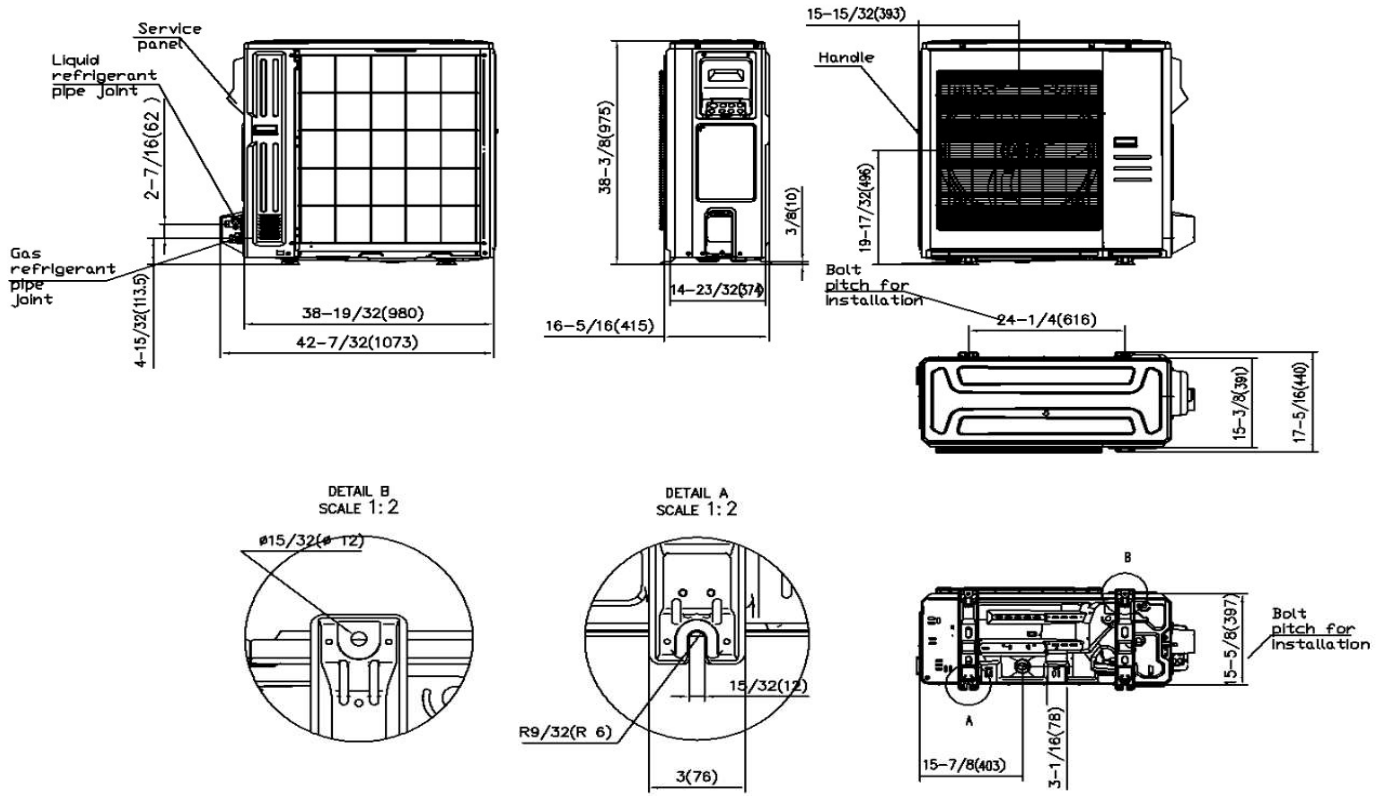
| ELECTRICAL | |
|----------------------------------|--|
| Indoor Power Supply | 24V,60Hz,1Ph |
| Indoor MCA 115V/(208/230V) | / |
| Indoor MOP | / |
| Outdoor Power Supply | 208/230,60Hz,1Ph |
| Outdoor MCA | 38.0 |
| Outdoor MOP | 40.0 |
| Communication Wiring | AWG 20/2 |
| Compressor RLA | 28.0 |
| Outdoor Fan Motor RLA | 2.0 |
| Outdoor Fan Motor W | / |
| Indoor Fan Motor RLA | / |
| Indoor Fan Motor W | / |
| System Power Input @ Cooling (W) | 4,500 (1,400 ~ 5,080) |
| System Power Input @ Heating (W) | 4,650 (1,200 ~ 5,300) |
| MCA: Min. circuit amps (A) | MOCP: Max. over current protection (A) |
| RLA: Rated load amps (A) | W: Fan motor rated output (W) |

| PIPING | |
|----------------------------------|------------------|
| Liquid Size | 3/8in (9.52mm) |
| Gas Size | 3/4in (19mm) |
| Drain Size | 5/8in (15.88mm) |
| Max. Piping Length | 246ft (75m) |
| Max. Height Difference | 98.4ft (30m) |
| Max. Pre-charged Length | 24.6ft (7.5m) |
| Refrigerant Pre-charged Amount | 134oz (3800g) |
| Additional Charge of Refrigerant | 0.7oz/ft (65g/m) |
| Connection Method | Flared |

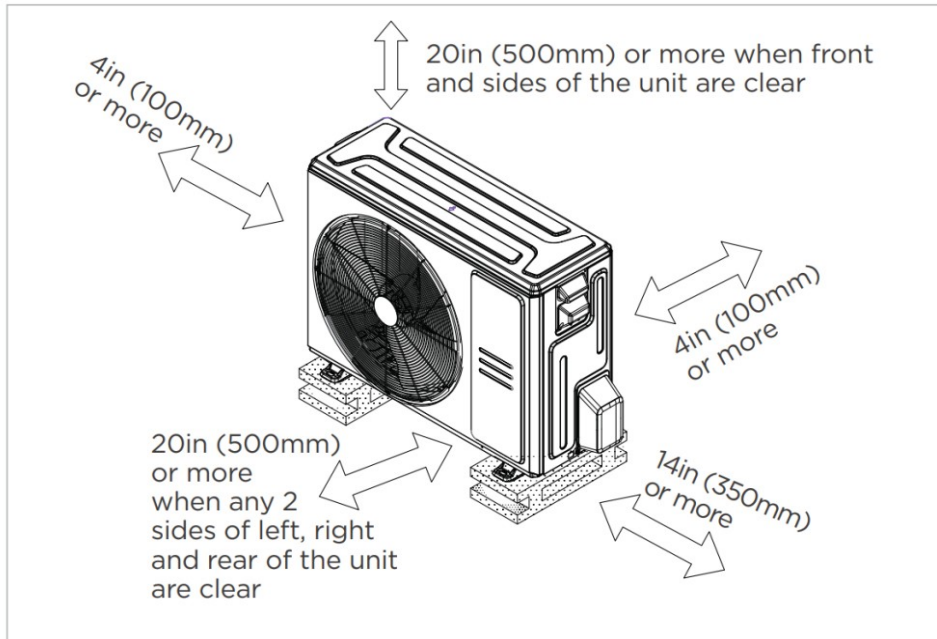


| Model | | 60-D | |
|------------|--------------------------|---------|-----|
| Dimensions | | inch | mm |
| A | Model Height | 28 | 711 |
| B | Model Width | 24-1/2 | 622 |
| C | Supply Air Opening Width | 23-1/4 | 591 |
| D | Return Air Opening Width | 23-1/8 | 587 |
| E | Condensate Drains Height | 2-3/16 | 55 |
| F | Liquid Line Height | 21-7/16 | 545 |

Outdoor Unit Dimension



Installation Instruction



Meets all special requirements shown in Installation Clearance Requirements above.

- Multi-position installation: horizontal(left or right), vertical(up or down)
- Aluminum Coil
- R454B refrigerant sensor
- Easy Maintenance
- Multiple control options available:
 - Two way communication wired controller with built-in WiFi:120N(X6W)
 - Third-Party 24V Thermostat