



Location: _____
 Engineer: _____
 Submitted to: _____
 Submitted by: _____
 Reference: _____

Model Number: AUO19-36N2-M3H / AUH3-36N2-BM3E

Approval: _____
 Date: _____
 Construction: _____
 Unit #: _____
 Drawing #: _____



INDOOR SPECIFICATION		
ESP(inWG)	0~1.0	
Indoor Air Flow (Turbo/H/M/L/S) (CFM)	1236/1148/1059/971/971	
Indoor Noise Level (T/H/M/L/S) (dBA)	50/50/48/32/32	
Dimension (W×D×H)	inch	21-1/2 x 17-1/2 x 58-1/8
	mm	546 x 445 x 1476
Package (W×D×H)	inch	31-1/8 x 20-1/2 x 62-3/8
	mm	790 x 520 x 1585
Net/Gross Weight	lbs	149/182
	kg	67.7/82.6

OUTDOOR SPECIFICATION		
Compressor Type	ROTARY	
Refrigerant	R454B	
Factory Charge	1300ml	
Refrigerant Oil	HAF68D1C	
Outdoor Air Flow (Max) (CFM)	3001.9	
Outdoor Noise Level (dBA)	62.5	
Dimension (W×D×H)	inch	37-1/4 x 16-1/8 x 31-7/8
	mm	946 x 410 x 810
Package (W×D×H)	inch	42-7/8 x 19-5/8 x 34-7/8
	mm	1090 x 500 x 885
Net/Gross Weight	lbs	164/176
	kg	75.6/80

EFFICIENCY			
Cooling		Heating	
SEER2	17.7	HSPF2-4	10.0
EER2	12.0	COP	3.6

PERFORMANCE of Cooling	
Cooling (Btu/hr)	
Rated Capacity	36000
Min/Max Capacity	14800~41700
Moisture Removal	3.39
Standard Operating Range	-22°F~122°F (-30°C~50°C)

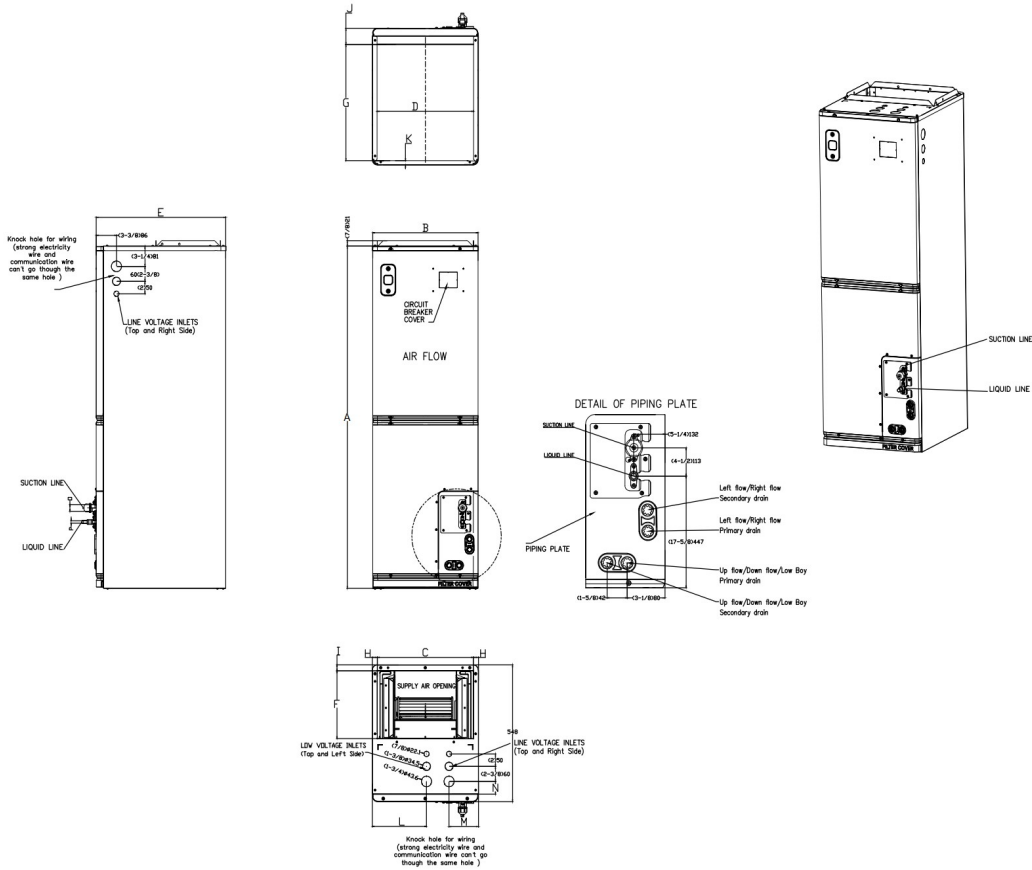
Rated Cooling Conditions: Indoor: 80°F DB/67°F WB
 Outdoor: 95°F DB/75°F WB

PERFORMANCE of Heating	
Heating (Btu/hr)	
1. @ 47°F Rated (Min/Max)	36000(10700~38400)
2. @ 17°F Rated	24600
3. @ 5°F Max: Capacity / COP	32600/2.06
Standard Operating Range	-22°F ~75°F (-30°C~24°C)

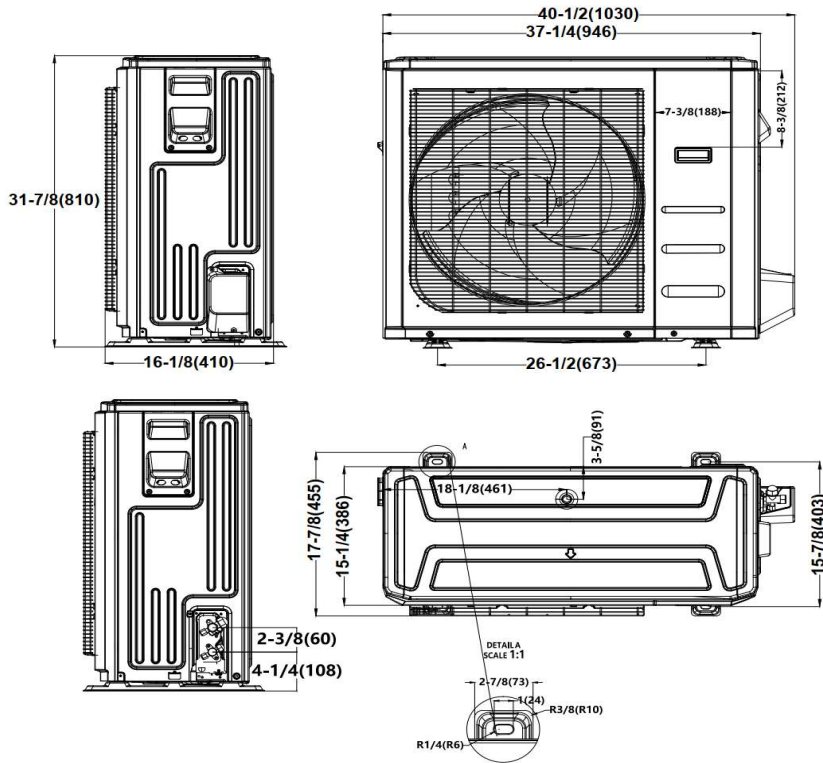
1. Rated Heating Conditions: Indoor: 70°F DB/60°F WB
 Outdoor: 47°F DB/43°F WB
 2. Rated Heating Conditions: Indoor: 70°F DB/60°F WB
 Outdoor: 17°F DB/15°F WB
 3. Heating Conditions, Compressor Operating at Max. Frequency Indoor: 70°F DB/60°F WB
 Outdoor: 5°F DB/5°F WB

ELECTRICAL		
Indoor Power Supply	115/208/230V,60Hz,1Ph	
Indoor MCA 115V/(208/230V)	8.0/6.0	
Indoor MOP	15	
Outdoor Power Supply	208/230V,60Hz,1Ph	
Outdoor MCA	26	
Outdoor MOP	30	
Communication Wiring	AWG 20-2	
Compressor RLA	18	
Outdoor Fan Motor RLA	3	
Outdoor Fan Motor W	120	
Indoor Fan Motor RLA	4.5	
Indoor Fan Motor W	600	
System Power Input @ Cooling (W)	3000(1180 ~ 3930)	
System Power Input @ Heating (W)	2930(645 ~3110)	
MCA: Min. circuit amps (A)	MOCP: Max. over current protection (A)	
RLA: Rated load amps (A)	W: Fan motor rated output (W)	

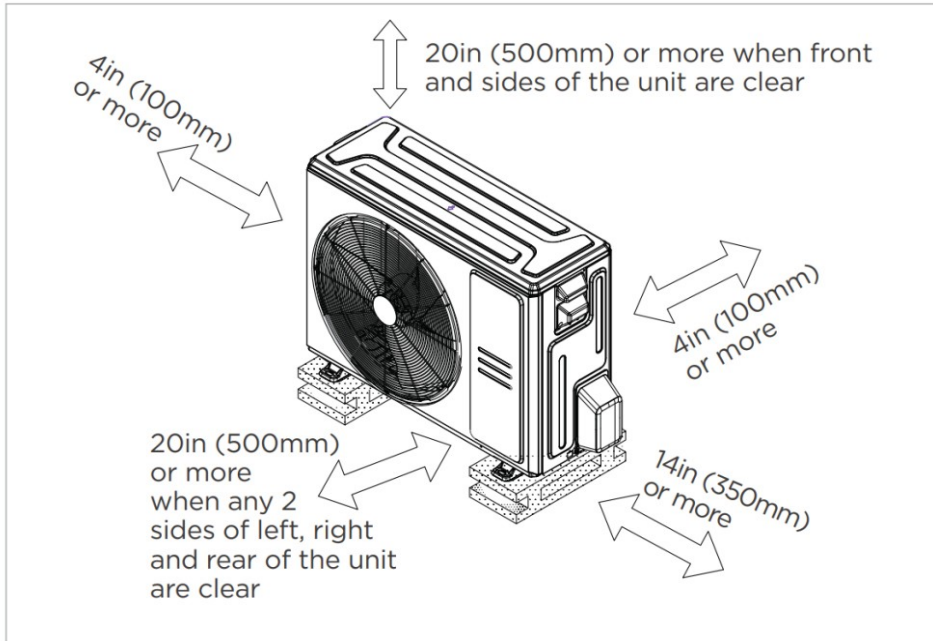
PIPING		
Liquid Size	3/8in (9.52mm)	
Gas Size	3/4in (19mm)	
Drain Size	5/8in (15.88mm)	
Max. Piping Length	213ft (65m)	
Max. Height Difference	98.4ft (30m)	
Max. Pre-charged Length	24.6ft (7.5m)	
Refrigerant Pre-charged Amount	126.99oz (3600g)	
Additional Charge of Refrigerant	0.7oz/ft (65g/m)	
Connection Method	Flared	



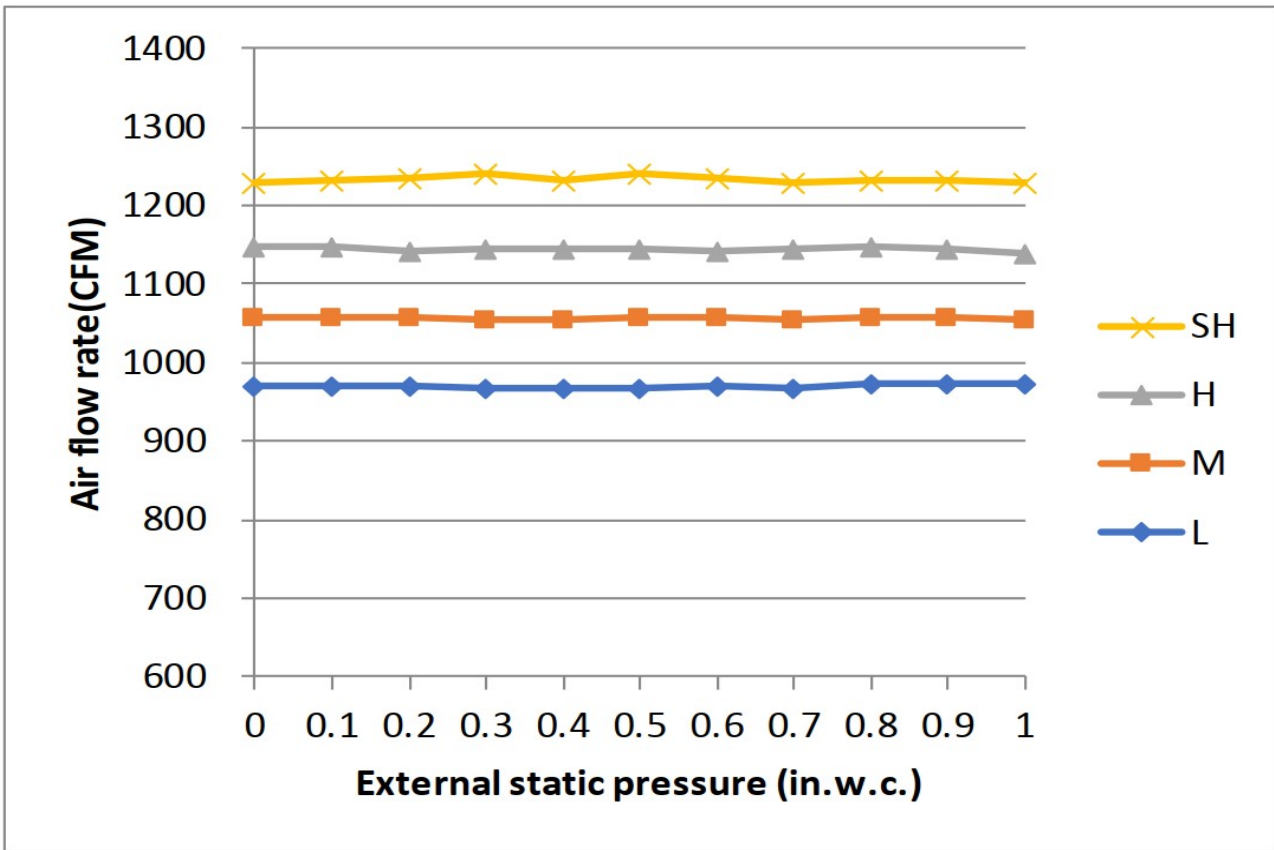
Dimensions		Model(Btu/h)	18K/24K		30K/36K		48K/54K	
			inch	mm	inch	mm	inch	mm
A	Model Height		49-3/4	1263	54	1371	56	1421
B	Model Width		14-1/2	368	17-1/2	445	21-1/2	546
C	Supply Air Opening Width		12-7/8	328	16	405	19-7/8	506
D	Return Air Opening Width		13	331	16	407	20	509
E	Model Depth		21-1/2	546	21-1/2	546	21-1/2	546
F	Supply Air Opening Depth		10-5/8	271	10-5/8	271	10-5/8	271
G	Return Air Opening Depth		18-1/4	465	18-1/4	465	18-1/4	465
H	Supply Air Opening Clearance		7/8	22	7/8	22	7/8	22
I	Supply Air Opening Clearance		1	24	1	24	1	24
J	Return Air Opening Front Clearance		2-1/2	65	2-1/2	65	2-1/2	65
K	Return Air Opening Back Clearance		3/4	18	3/4	18	3/4	18
L	Top cover knock hole		/	/	9	229	10-7/8	275
M	Top cover knock hole		4-1/2	113	4-7/8	124	5-1/8	131
N	Top cover knock hole		2	51	2	51	1-5/8	41
O	Refrigerant piping flareconnection(gas)		3/4	19	3/4	19	3/4	19
P	Refrigerant piping flareconnection(liquid)		3/8	9	3/8	9	3/8	9



Installation Instruction



☑ Meets all special requirements shown in Installation Clearance Requirements above.



Features

- Multi-position installation: horizontal(left or right), vertical(up or down)
- 115/230V voltage compatible for IDU
- Aluminum Coil
- Constantly Air Flow system up to 1.0 In.W.G
- Optional Auxiliary heat kit up to 25kW
- Easy Maintenance
- Multiple controller options available:
 - Optional two way communication wired controller, programmable:120N(X6)
 - Optional two way communication wired controller, programmable, with built-in WiFi, :120N(X6W)
 - Standard Wireless remote controller
 - Can connect with Third-Party 24V Thermostat
- Adapted to RS485 and 24V communication controllers
- High efficiency up to 19 SEER2, 12.5 EER2, 10.8 HSPF2
- 100% heat output at -13F*
- Chassis heater and crankcase heater pre-bulit as standard

* For AUH3-36N2-BM3E pairing with AUO19-36N2-M3H-S, rated cooling capacity/heating capacity at -13F=100%