



Location: _____
 Engineer: _____
 Submitted to: _____
 Submitted by: _____
 Reference: _____

Model Number: AUO19-30N2-M3H / AUH2-30N2-CM3E

Approval: _____
 Date: _____
 Construction: _____
 Unit #: _____
 Drawing #: _____



INDOOR SPECIFICATION		
ESP(in.W.G)	0-0.8	
Indoor Air Flow (Turbo/H/M/L/S) (CFM)	989/895/806/712/712	
Indoor Noise Level (T/H/M/L/S) (dBA)	47/46/43/28/28	
Dimension (W×D×H)	inch	21 x 21 x 49
	mm	534 x 534 x 1245
Package (W×D×H)	inch	26-5/8 x 24-3/8 x 52-1/2
	mm	675 x 620 x 1335
Net/Gross Weight	lbs	129/153
	kg	58.5/69.6

OUTDOOR SPECIFICATION		
Compressor Type	ROTARY	
Refrigerant	R454B	
Factory Charge	1300ml	
Refrigerant Oil	HAF68D1C	
Outdoor Air Flow (Max) (CFM)	3001.8	
Outdoor Noise Level (dBA)	60.5	
Dimension (W×D×H)	inch	37-1/4 x 16-1/8 x 31-7/8
	mm	946 x 410 x 810
Package (W×D×H)	inch	42-7/8 x 19-5/8 x 34-7/8
	mm	1090 x 500 x 885
Net/Gross Weight	lbs	164/175
	kg	74.4/79.2

EFFICIENCY			
Cooling		Heating	
SEER2	16.8	HSPF2-4	10.0
EER2	11.7	COP	3.7

PERFORMANCE of Cooling	
Cooling (Btu/hr)	
Rated Capacity	30000
Min/Max Capacity	12800~39000
Moisture Removal	2.77
Standard Operating Range	-22°F~122°F (-30°C~50°C)

Rated Cooling Conditions: Indoor: 80°F DB/67°F WB
 Outdoor: 95°F DB/75°F WB

PERFORMANCE of Heating	
Heating (Btu/hr)	
1. @ 47°F Rated (Min/Max)	34000(10300~38500)
2. @ 17°F Rated	23800
3. @ 5°F Max: Capacity / COP	32600/1.96
Standard Operating Range	-22°F ~75°F (-30°C~24°C)

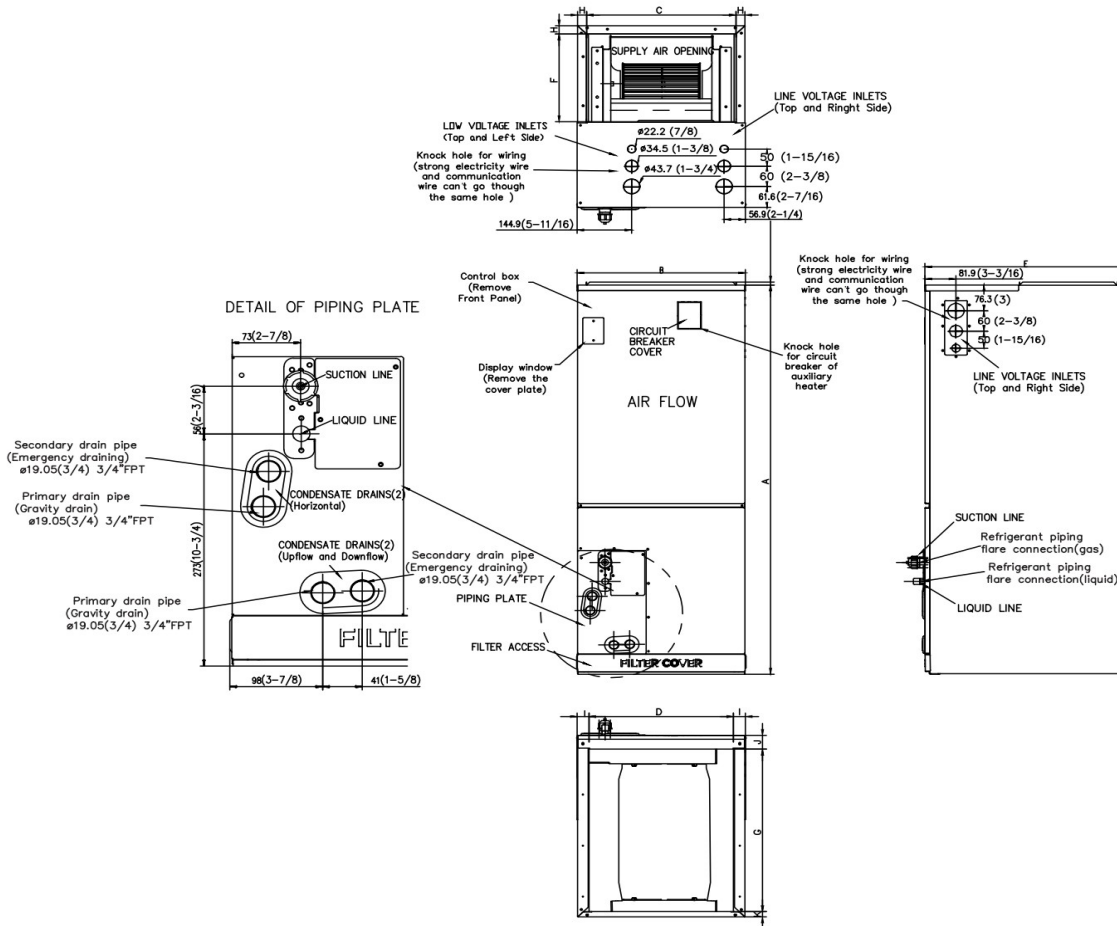
1. Rated Heating Conditions: Indoor: 70°F DB/60°F WB
 Outdoor: 47°F DB/43°F WB

2. Rated Heating Conditions: Indoor: 70°F DB/60°F WB
 Outdoor: 17°F DB/15°F WB

3. Heating Conditions, Compressor Operating at Max. Frequency Indoor: 70°F DB/60°F WB
 Outdoor: 5°F DB/5°F WB

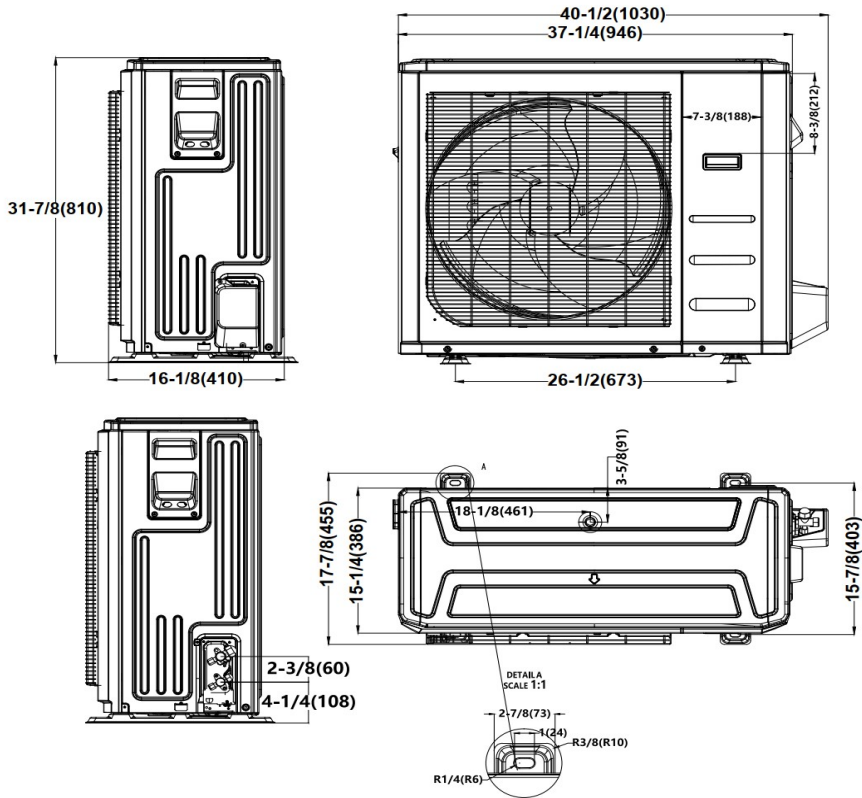
ELECTRICAL		
Indoor Power Supply	115/208/230V,60Hz,1Ph	
Indoor MCA 115V/(208/230V)	8.0/6.0	
Indoor MOP	15	
Outdoor Power Supply	208/230V,60Hz,1Ph	
Outdoor MCA	29.5	
Outdoor MOP	30	
Communication Wiring	AWG 20-2	
Compressor RLA	22.4	
Outdoor Fan Motor RLA	1.5	
Outdoor Fan Motor W	120	
Indoor Fan Motor RLA	4.5	
Indoor Fan Motor W	375	
System Power Input @ Cooling (W)	2567(850 ~ 3620)	
System Power Input @ Heating (W)	2790(655 ~3020)	
MCA: Min. circuit amps (A)	MOCP: Max. over current protection (A)	
RLA: Rated load amps (A)	W: Fan motor rated output (W)	

PIPING		
Liquid Size	3/8in (9.52mm)	
Gas Size	3/4in (19mm)	
Drain Size	5/8in (15.88mm)	
Max. Piping Length	164ft (50m)	
Max. Height Difference	82ft (25m)	
Max. Pre-charged Length	24.6ft (7.5m)	
Refrigerant Pre-charged Amount	105.82oz (3000g)	
Additional Charge of Refrigerant	0.7oz/ft (65g/m)	
Connection Method	Flared	

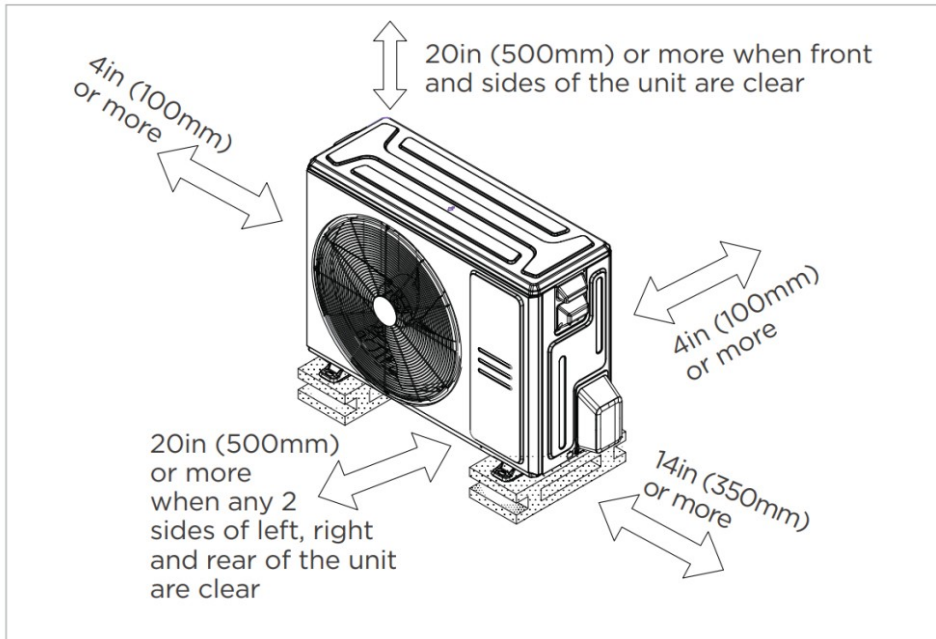


Dimensions	Model	18k/24k		30k/36k		48k/60k	
		inch	mm	inch	mm	inch	mm
A	Model Height	45	1143	49	1245	53	1346
B	Model Width	17-1/2	445	21	534	24-1/2	622
C	Supply Air Opening Width	15-5/8	397	19-1/8	486	22-5/8	575
D	Return Air Opening Width	15-1/8	384	18-5/8	473	22-1/8	562
E	Model Depth	21	534	21	534	21	534
F	Supply Air Opening Depth	10-1/4	260	10-1/4	260	10-1/4	260
G	Return Air Opening Depth	18-3/4	476	18-3/4	476	18-3/4	476
H	Supply Air Opening Clearance	15/16	24	15/16	24	15/16	24
I	Return Air Opening Side Clearance	1-1/4	32	1-1/4	32	1-1/8	28
J	Return Air Opening Front Clearance	1-1/2	38	1-5/8	41	1-5/8	41
K	Return Air Opening Back Clearance	5/8	16	5/8	16	3/4	19

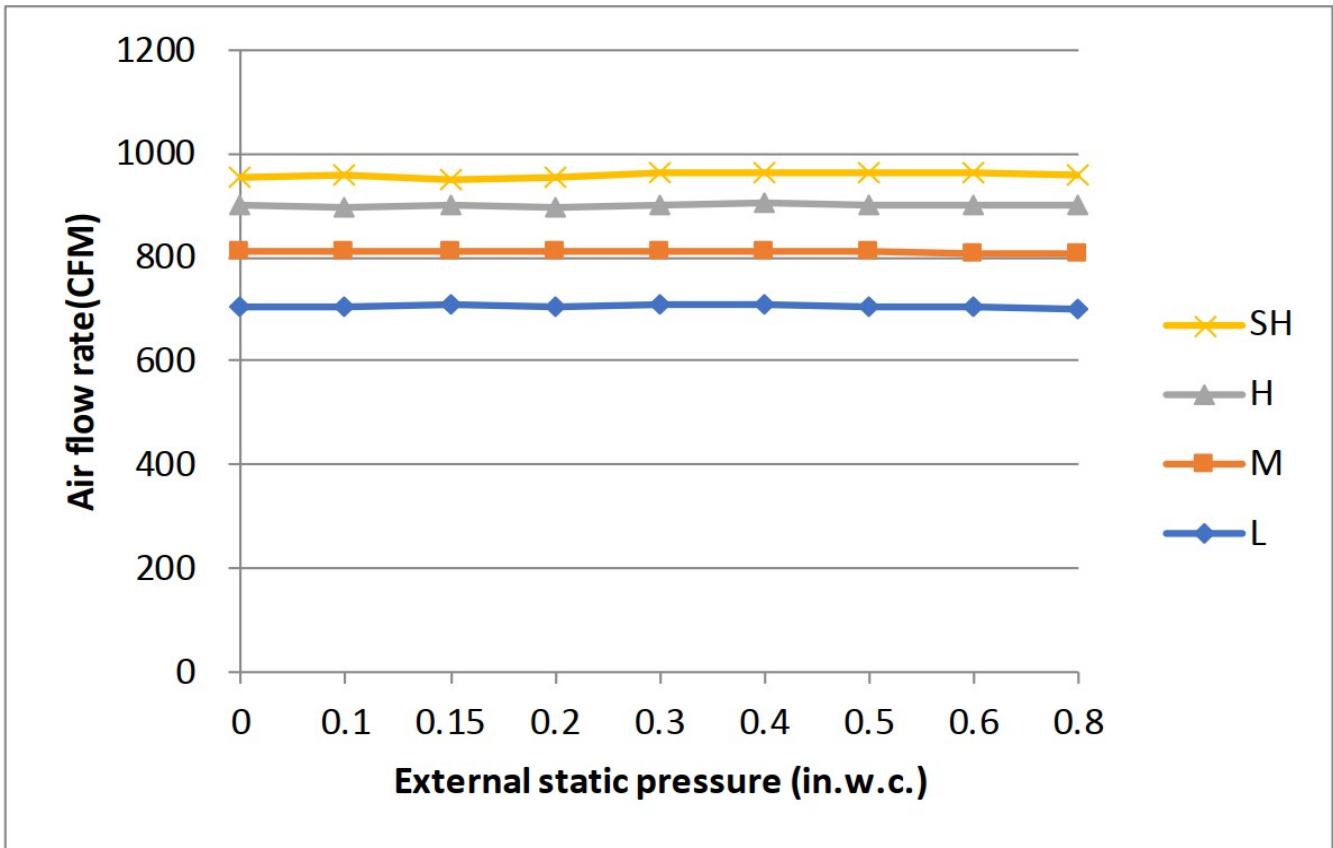
Outdoor Unit Dimension



Installation Instruction



Meets all special requirements shown in Installation Clearance Requirements above.



Features

- Multi-position installation: horizontal(left or right), vertical(up or down)
- Aluminum Coil
- Constantly Air Flow system up to 0.80 In.W.G
- 1 inch thick R4.2 fiberglass free insulation, reduce condensation and increase efficiency(optional)
- Optional Auxiliary heat kit up to 25kW
- Easy Maintenance
- Multiple controller options available:
 - Optional two way communication wired controller, programmable:120N(X6)
 - Optional two way communication wired controller, programmable, with built-in WiFi, :120N(X6W)
 - Standard Wireless remote controller
 - Can connect with Third-Party 24V Thermostat
- Adapted to RS485 and 24V communication controllers
- High efficiency up to 19 SEER2, 12.5 EER2, 10.3 HSPF2
- 100% heat output at -4F*
- Chassis heater and crankcase heater pre-bulit as standard

* For 36K model, rated cooling capacity/heating capacity at -4F=100%