



Location: \_\_\_\_\_  
 Engineer: \_\_\_\_\_  
 Submitted to: \_\_\_\_\_  
 Submitted by: \_\_\_\_\_  
 Reference: \_\_\_\_\_

Model Number: AUO19-24N2-M3H / AUH2-24N2-BM3E

Approval: \_\_\_\_\_  
 Date: \_\_\_\_\_  
 Construction: \_\_\_\_\_  
 Unit #: \_\_\_\_\_  
 Drawing #: \_\_\_\_\_



INDOOR SPECIFICATION		
ESP(in.W.G)		0-0.8
Indoor Air Flow (Turbo/H/M/L/S) (CFM)		824/759/695/630/630
Indoor Noise Level (T/H/M/L/S) (dBA)		44/44/42/28/28
Dimension (W×D×H)	inch	21 x 17-1/2 x 45
	mm	534 x 445 x 1143
Package (W×D×H)	inch	26-5/8 x 20-7/8 x 48-5/8
	mm	675 x 530 x 1235
Net/Gross Weight	lbs	106/127
	kg	47.9/57.8

OUTDOOR SPECIFICATION		
Compressor Type		ROTARY
Refrigerant		R454B
Factory Charge		620ml
Refrigerant Oil		VG74
Outdoor Air Flow (Max) (CFM)		1765.7
Outdoor Noise Level (dBA)		60.0
Dimension (W×D×H)	inch	35 x 13-1/2 x 26-1/2
	mm	890 x 342 x 673
Package (W×D×H)	inch	39-1/8 x 15-5/8 x 29-1/8
	mm	995 x 398 x 740
Net/Gross Weight	lbs	102/109
	kg	46.4/49.5

EFFICIENCY			
Cooling		Heating	
SEER2	18.3	HSPF2-4	10.0
EER2	11.7	COP	3.3

PERFORMANCE of Cooling	
Cooling (Btu/hr)	
Rated Capacity	23000
Min/Max Capacity	7200~27000
Moisture Removal	2.05
Standard Operating Range	-22°F~122°F (-30°C~50°C)

Rated Cooling Conditions: Indoor: 80°F DB/67°F WB  
 Outdoor: 95°F DB/75°F WB

PERFORMANCE of Heating	
Heating (Btu/hr)	
1. @ 47°F Rated (Min/Max)	24000(7100~30000)
2. @ 17°F Rated	20000
3. @ 5°F Max: Capacity / COP	21600/1.87
Standard Operating Range	-22°F ~75°F (-30°C~24°C)

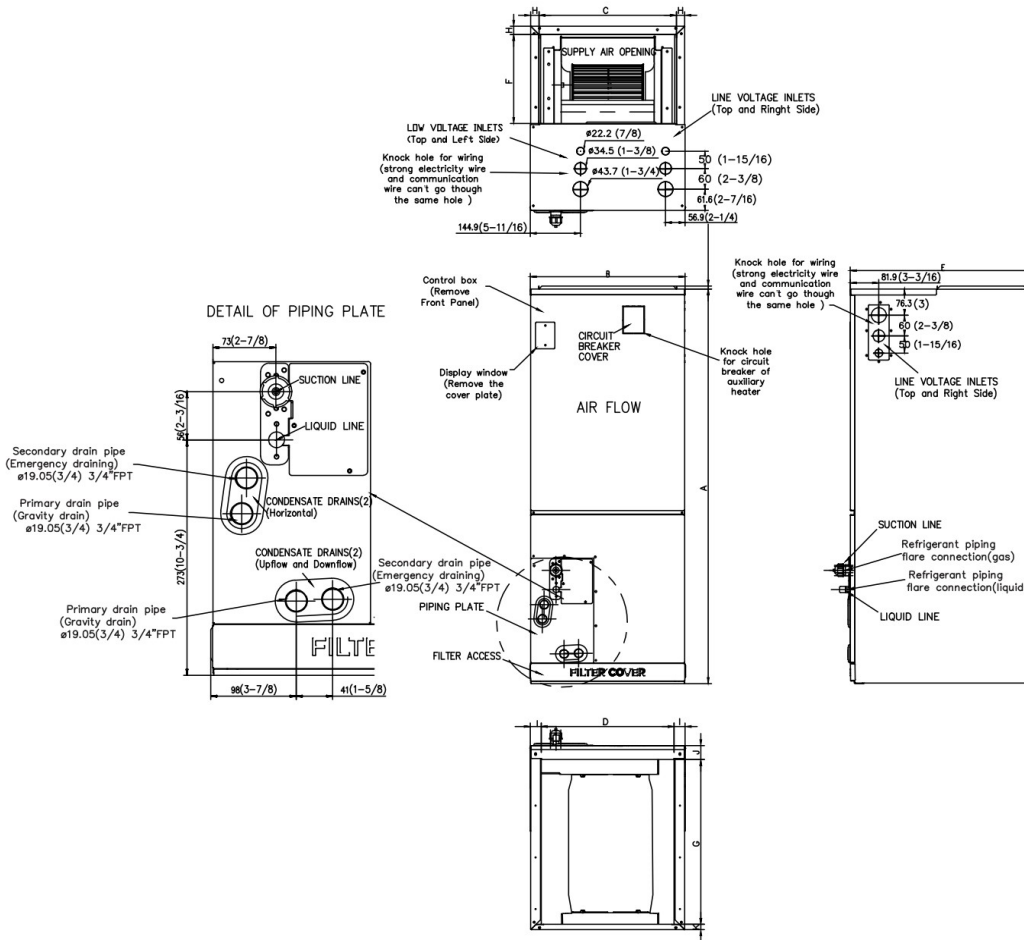
1. Rated Heating Conditions: Indoor: 70°F DB/60°F WB  
 Outdoor: 47°F DB/43°F WB

2. Rated Heating Conditions: Indoor: 70°F DB/60°F WB  
 Outdoor: 17°F DB/15°F WB

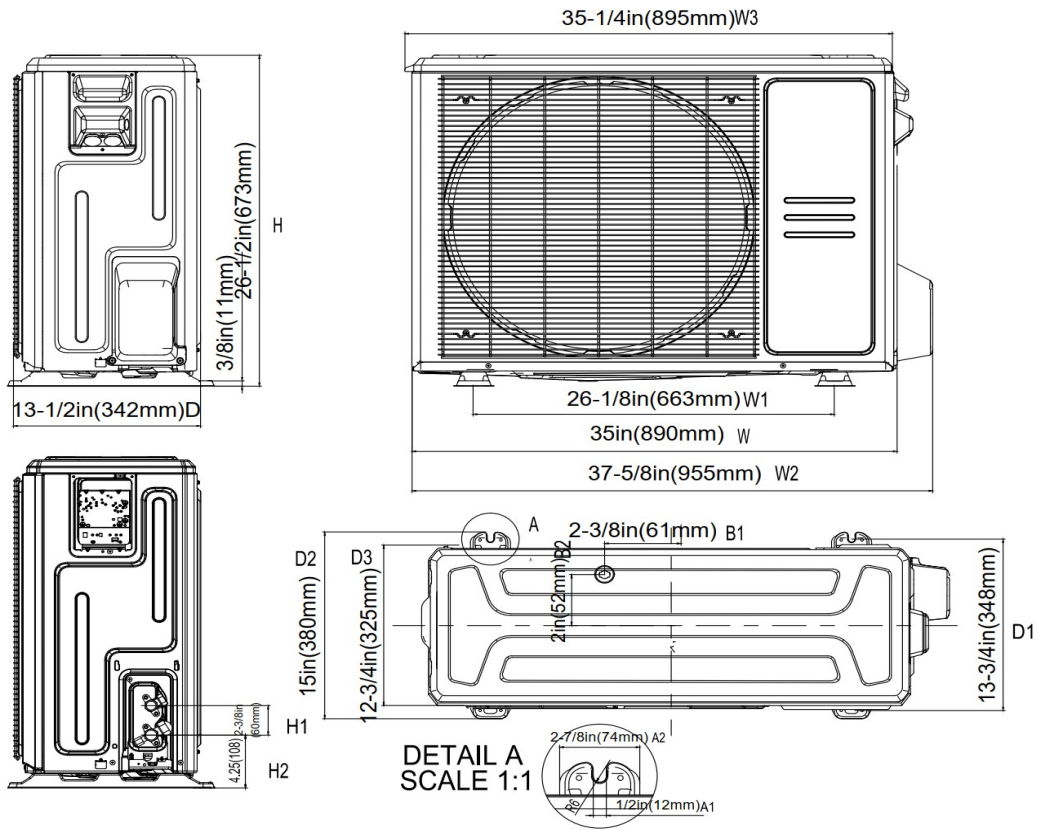
3. Heating Conditions, Compressor Operating at Max. Frequency Indoor: 70°F DB/60°F WB  
 Outdoor: 5°F DB/5°F WB

ELECTRICAL		
Indoor Power Supply		115/208/230V,60Hz,1Ph
Indoor MCA 115V/(208/230V)		5.5/4.0
Indoor MOP		15
Outdoor Power Supply		208/230V,60Hz,1Ph
Outdoor MCA		19
Outdoor MOP		20
Communication Wiring		AWG 20-2
Compressor RLA		14
Outdoor Fan Motor RLA		1
Outdoor Fan Motor W		80
Indoor Fan Motor RLA		3
Indoor Fan Motor W		250
System Power Input @ Cooling (W)		1965(530 ~ 2870)
System Power Input @ Heating (W)		2112(440 ~2730)
MCA: Min. circuit amps (A)	MOCP: Max. over current protection (A)	
RLA: Rated load amps (A)	W: Fan motor rated output (W)	

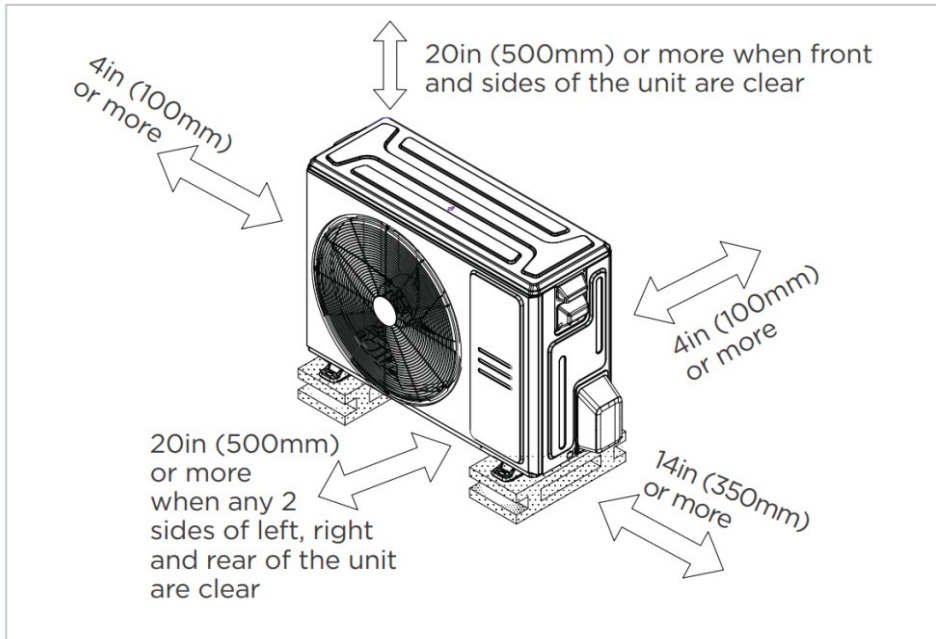
PIPING		
Liquid Size		3/8in (9.52mm)
Gas Size		3/4in (19mm)
Drain Size		5/8in (15.88mm)
Max. Piping Length		164ft (50m)
Max. Height Difference		82ft (25m)
Max. Pre-charged Length		24.6ft (7.5m)
Refrigerant Pre-charged Amount		74.08oz (2100g)
Additional Charge of Refrigerant		0.7oz/ft (65g/m)
Connection Method		Flared



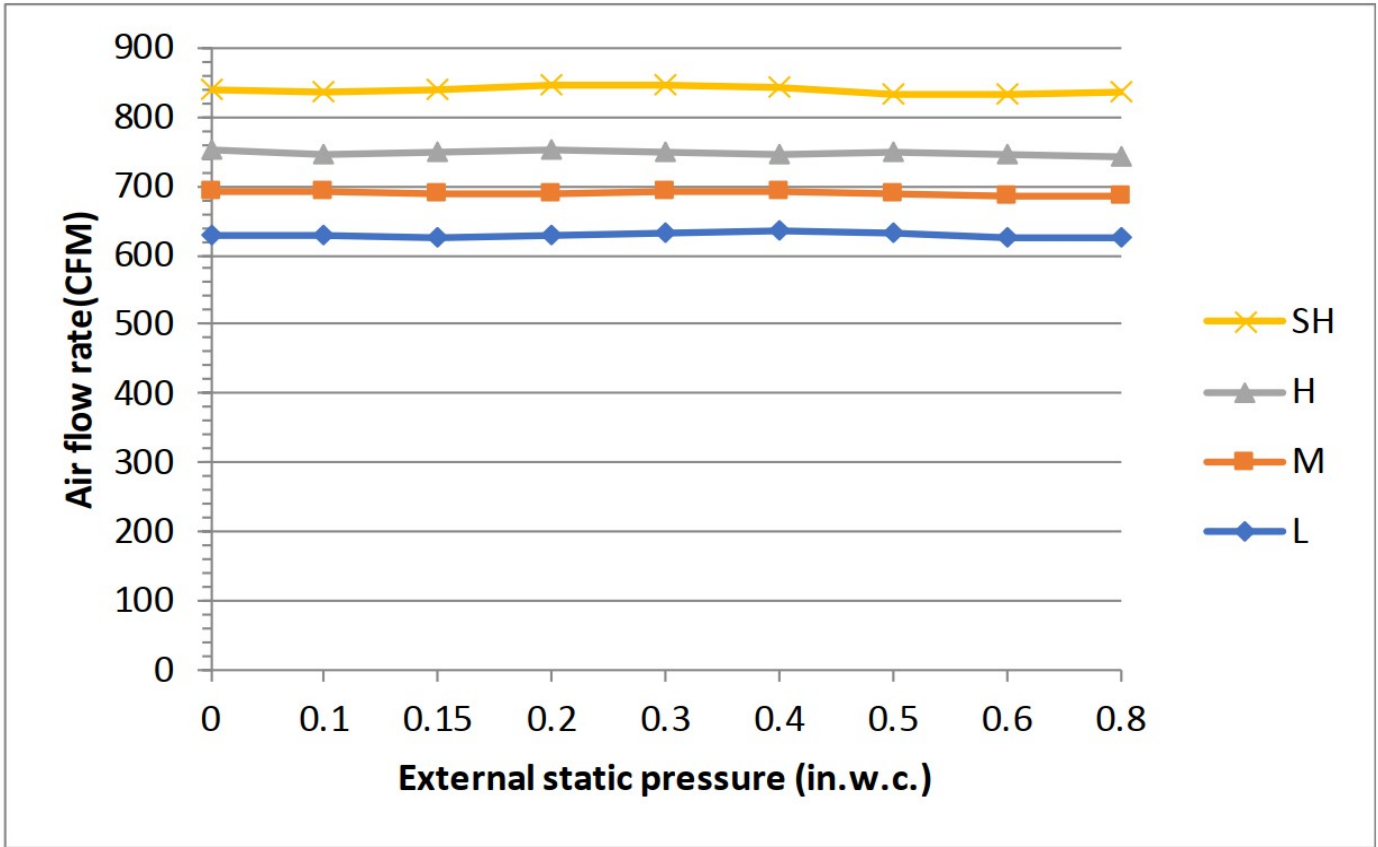
Dimensions	Model	18k/24k		30k/36k		48k/60k	
		inch	mm	inch	mm	inch	mm
A	Model Height	45	1143	49	1245	53	1346
B	Model Width	17-1/2	445	21	534	24-1/2	622
C	Supply Air Opening Width	15-5/8	397	19-1/8	486	22-5/8	575
D	Return Air Opening Width	15-1/8	384	18-5/8	473	22-1/8	562
E	Model Depth	21	534	21	534	21	534
F	Supply Air Opening Depth	10-1/4	260	10-1/4	260	10-1/4	260
G	Return Air Opening Depth	18-3/4	476	18-3/4	476	18-3/4	476
H	Supply Air Opening Clearance	15/16	24	15/16	24	15/16	24
I	Return Air Opening Side Clearance	1-1/4	32	1-1/4	32	1-1/8	28
J	Return Air Opening Front Clearance	1-1/2	38	1-5/8	41	1-5/8	41
K	Return Air Opening Back Clearance	5/8	16	5/8	16	3/4	19



Installation Instruction



Meets all special requirements shown in Installation Clearance Requirements above.



Features

- Multi-position installation: horizontal(left or right), vertical( up or down)
- Aluminum Coil
- Constantly Air Flow system up to 0.80 In.W.G
- 1 inch thick R4.2 fiberglass free insulation, reduce condensation and increase efficiency(optional)
- Optional Auxiliary heat kit up to 25kW
- Easy Maintenance
- Multiple controller options available:
  - Optional two way communication wired controller, programmable:120N(X6)
  - Optional two way communication wired controller, programmable, with built-in WiFi, :120N(X6W)
  - Standard Wireless remote controller
  - Can connect with Third-Party 24V Thermostat
- Adapted to RS485 and 24V communication controllers
- High efficiency up to 19 SEER2, 12.5 EER2, 10.3 HSPF2
- 100% heat output at -4F\*
- Chassis heater and crankcase heater pre-bulit as standard

\* For 36K model, rated cooling capacity/heating capacity at -4F=100%