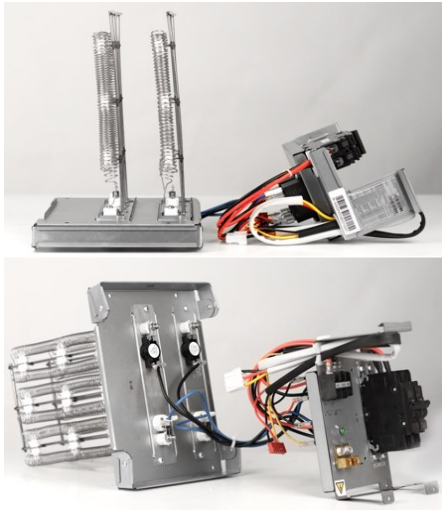




Model Number: EAH-08F(UL)

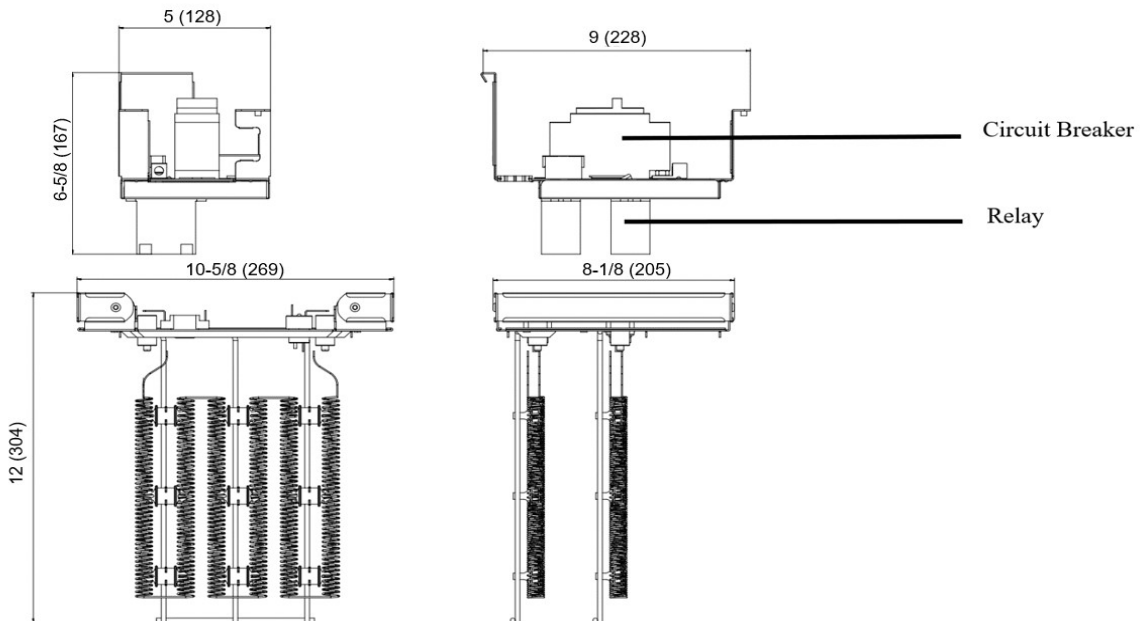
Location: \_\_\_\_\_  
 Engineer: \_\_\_\_\_  
 Submitted to: \_\_\_\_\_  
 Submitted by: \_\_\_\_\_  
 Reference: \_\_\_\_\_

Approval: \_\_\_\_\_  
 Date: \_\_\_\_\_  
 Construction: \_\_\_\_\_  
 Unit #: \_\_\_\_\_  
 Drawing #: \_\_\_\_\_





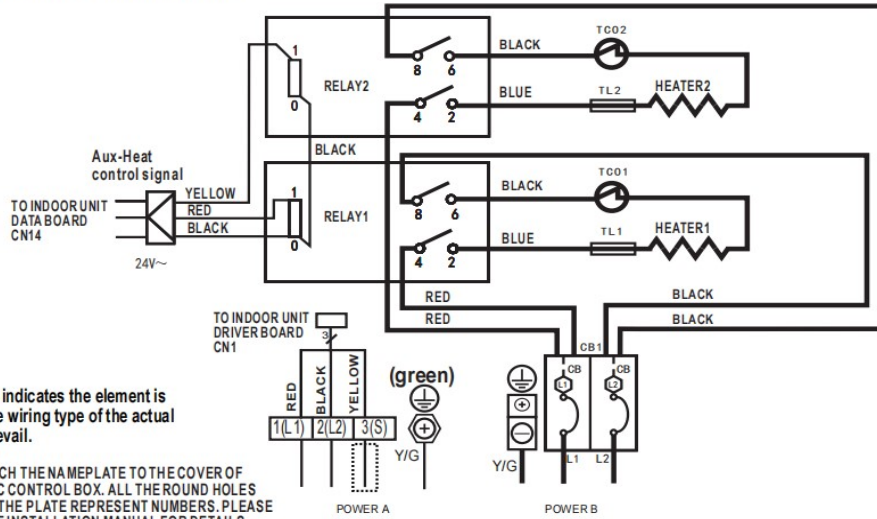
SPECS		
Normal Operational Voltage	(V, Ph, Hz)	208 / 230, 1, 60
Current	A	28.8 / 32.0
Heat Power	KW	6.00 / 7.35
MCA	A	37.0 / 42.0
MAX. FUSE	A	40.0 / 45.0
Heater dimension (W×D×H)	inch	22 x 10-5/8 x 8-1/8
	mm	559 x 269 x 205
Packaging dimension (W×D×H)	inch	25-5/8 x 15 x 10-1/4
	mm	650 x 380 x 260
Net Weight	lbs	5.7
	kg	2.8
Gross Weight	lbs	13.4
	kg	6.1

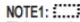
### Heater dimension



# 8KW/10KW HEAT KIT

 : THERMAL LINK  
 : THERMAL CUT-OUT, SELF-RESETTING



NOTE1:  This symbol indicates the element is optional. The wiring type of the actual unit shall prevail.

NOTE2: PLEASE ATTACH THE NAMEPLATE TO THE COVER OF THE ELECTRIC CONTROL BOX. ALL THE ROUND HOLES LOCATED ON THE PLATE REPRESENT NUMBERS. PLEASE REFER TO THE INSTALLATION MANUAL FOR DETAILS.

NOTE3: TO BE WIRED IN ACCORDANCE WITH NEC AND LOCAL CODES.

NOTE4: POWER A,B,C,D ARE DIFFERENT POWERS.

Electric heating is only applicable to 208-230V.

Round hole number	Relay number	Round hole number	Circuit breaker number
⊙	RELAY 1	⊙	CB1
⊙ ⊙	RELAY 2		
⊙ ⊙ ⊙			
⊙ ⊙ ⊙ ⊙			
⊙ ⊙ ⊙ ⊙ ⊙			

