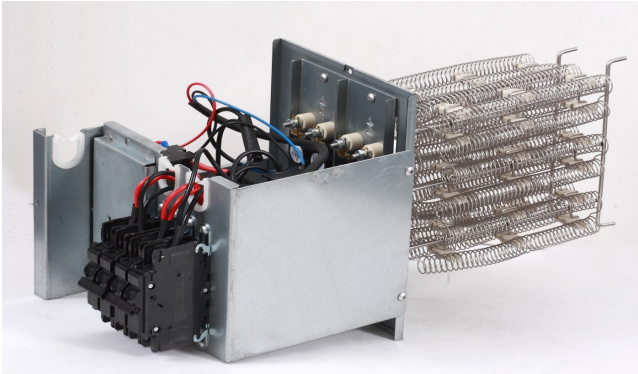




Model Number: EAH-08E(UL)

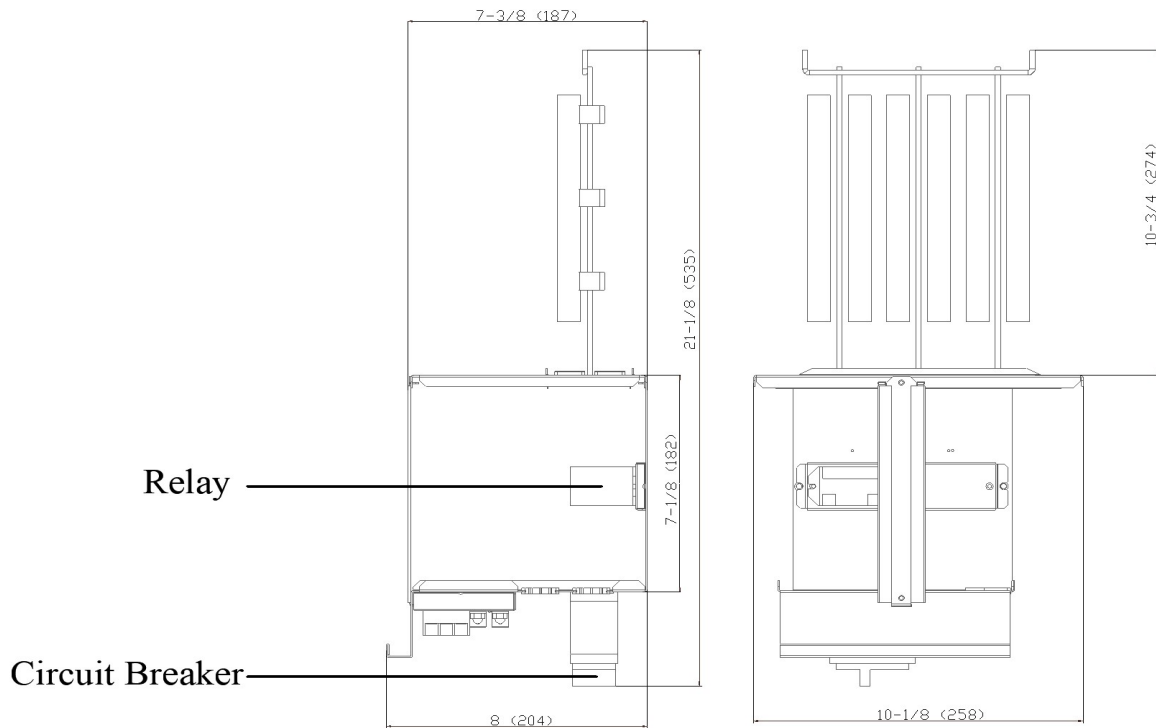
Location: _____
 Engineer: _____
 Submitted to: _____
 Submitted by: _____
 Reference: _____

Approval: _____
 Date: _____
 Construction: _____
 Unit #: _____
 Drawing #: _____





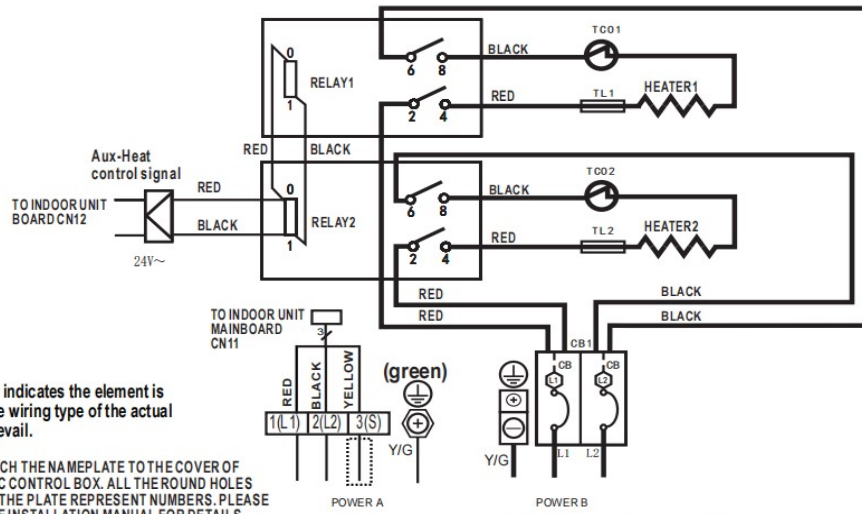
SPECS		
Normal Operational Voltage	(V, Ph, Hz)	208 / 230, 1, 60
Current	A	28.8 / 32.0
Heat Power	KW	6.0 / 7.35
MCA	A	37.0 / 42.0
MAX. FUSE	A	40.0 / 45.0
Heater dimension (W×D×H)	inch	21-1/8 x 10-1/8 x 8
	mm	535 x 258 x 204
Packaging dimension (W×D×H)	inch	24 x 14-3/8 x 10-1/4
	mm	610 x 365 x 260
Net Weight	lbs	6.7
	kg	3.3
Gross Weight	lbs	12.8
	kg	5.8


Heater dimension



8KW/10KW HEAT KIT

 : THERMAL LINK
 : THERMAL CUT-OUT, SELF-RESETTING



NOTE1: 
 This symbol indicates the element is optional. The wiring type of the actual unit shall prevail.

NOTE2:
 PLEASE ATTACH THE NAMEPLATE TO THE COVER OF THE ELECTRIC CONTROL BOX. ALL THE ROUND HOLES LOCATED ON THE PLATE REPRESENT NUMBERS. PLEASE REFER TO THE INSTALLATION MANUAL FOR DETAILS.

NOTE3: TO BE WIRED IN ACCORDANCE WITH NEC AND LOCAL CODES.

NOTE4: POWER A, B, C, D ARE DIFFERENT POWERS.

Electric heating is only applicable to 208-230V.

Round hole number	Relay number	Round hole number	Circuit breaker number
	RELAY 1		CB1
	RELAY 2		
			
			

