

SUBMITTAL DATA SHEET



Series Name: **INNOVA 24V Mega Heat with AHU**
 Model Number: **AUO18-60N1-M3H / AUH2-60N1-DM3E**

| Heat Pump System | |
|---------------------|---------------------|
| Location: _____ | Approval: _____ |
| Engineer: _____ | Date: _____ |
| Submitted to: _____ | Construction: _____ |
| Submitted by: _____ | Unit #: _____ |
| Reference: _____ | Drawing #: _____ |



| INDOOR SPECIFICATION | | |
|---------------------------------------|------|----------------------|
| Indoor Air Flow (H/M/L/NO Duct) (CFM) | | 1806/1582/1359/1135 |
| Indoor Noise Level (H/M/L) (dBA) | | 51/45.5/41.5 |
| Dimension (W×D×H) | inch | 21 x 24-1/2 x 53 |
| | mm | 534 x 622 x 1346 |
| Package (W×D×H) | inch | 28 x 26-3/4 x 56-1/2 |
| | mm | 710 x 680 x 1435 |
| Net/Gross Weight | lbs | 163/193 |
| | kg | 73.8/87.5 |

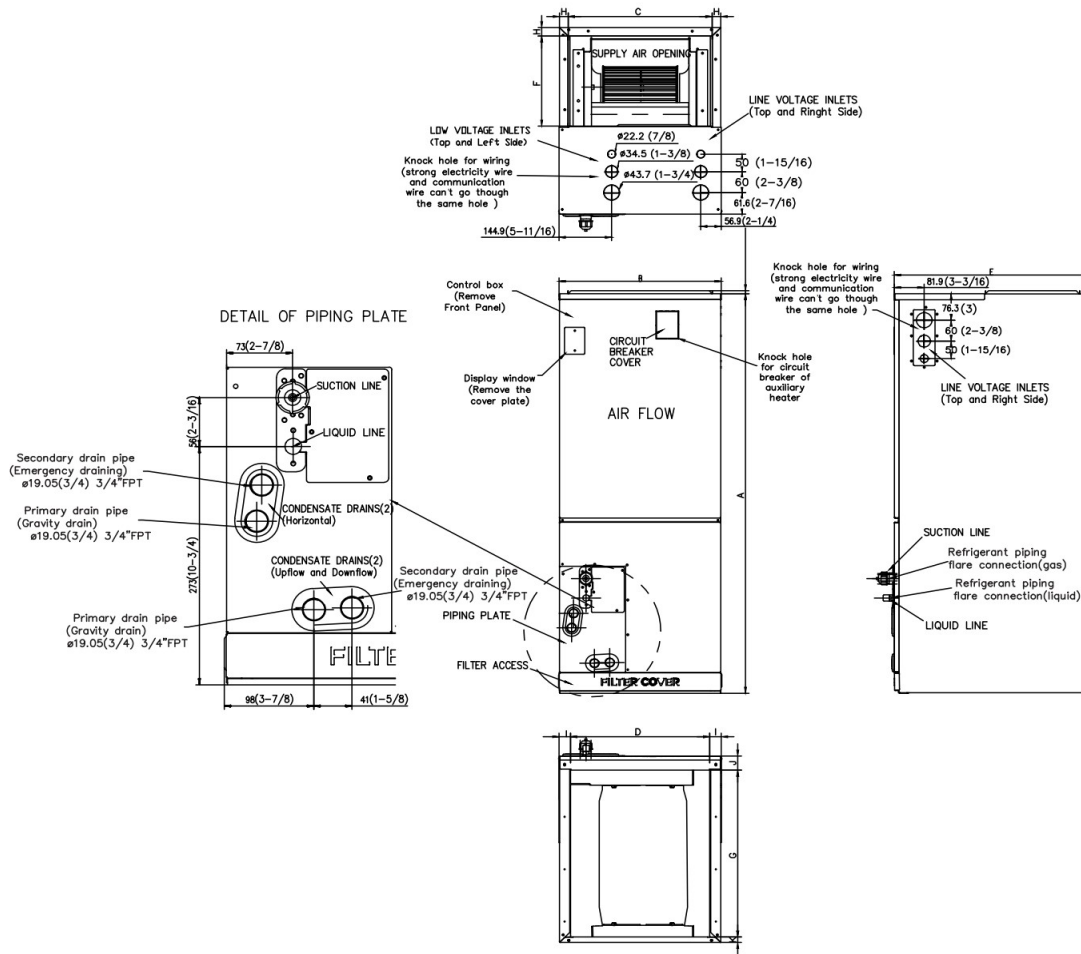
| OUTDOOR SPECIFICATION | | |
|------------------------------|------|--------------------------|
| Compressor Type | | ROTARY |
| Refrigerant | | R410A |
| Factory Charge Oil | | 1300ml |
| Refrigerant Oil | | VG75 |
| Outdoor Air Flow (Max) (CFM) | | 4750 |
| Outdoor Noise Level (dBA) | | 63.5 |
| Dimension (W×D×H) | inch | 37-1/2 x 16-3/8 x 52-1/2 |
| | mm | 952 x 415 x 1333 |
| Package (W×D×H) | inch | 43-1/8 x 19-1/2 x 58-1/4 |
| | mm | 1095 x 495 x 1480 |
| Net/Gross Weight | lbs | 240/272 |
| | kg | 108.8/123.2 |

| EFFICIENCY | | | |
|---|------|---|-----|
| Cooling | | Heating | |
| SEER2 | 15.3 | HSPF2-4 | 9.4 |
| EER2 | 8.8 | COP | 3.4 |
| PERFORMANCE of Cooling | | | |
| Cooling (Btu/hr) | | | |
| Rated (Min/Max) | | 55000 | |
| Sebsible @ AHRI | | 14000~56000 | |
| Moisture Removal | | 5.55 L/H (11.71 pint/H) | |
| Standard Operating Range | | 5°F~122°F (-15°C~50°C) | |
| Rated Cooling Conditions: | | Indoor: 80°F DB/67°F WB Outdoor: 95°F DB/75°F WB | |
| PERFORMANCE of Heating | | | |
| Heating (Btu/hr) | | | |
| 1. @ 47°F Rated (Min/Max) | | 59000(13400~69000) | |
| 2. @ 17°F Rated | | 42000 | |
| 3. @ 5°F Max: Capacity / COP | | 48500 / 1.91 | |
| Standard Operating Range | | -22°F~75°F (-30°C~24°C) | |
| 1. Rated Heating Conditions: | | Indoor: 70°F DB/60°F WB Outdoor: 47°F DB/43°F WB | |
| 2. Rated Heating Conditions: | | Indoor: 70°F DB/60°F WB Outdoor: 17°F DB/15°F WB | |
| 3. Heating Conditions, Compressor Operating at Max. Frequency | | Indoor: 70°F DB/60°F WB Outdoor: 5°F DB/5°F WB | |

| ELECTRICAL | |
|----------------------------------|--|
| Power Supply | 208/230V, 1Ph, 60Hz |
| Outdoor/Indoor MCA | 40/9 |
| Connection Wiring | AWG 14-2 |
| Outdoor/Indoor MOCP | 40/15 |
| Compressor RLA | 26.2 |
| Outdoor Fan Motor RLA | 1.2 |
| Outdoor Fan Motor W | 85 |
| Indoor Fan Motor RLA | 7 |
| Indoor Fan Motor W | / |
| System Power Input @ Cooling (W) | 6280(500~6450) |
| System Power Input @ Heating (W) | 5060(750~5890) |
| MCA: Min. circuit amps (A) | MOCP: Max. over current protection (A) |
| RLA: Rated load amps (A) | W: Fan motor rated output (W) |

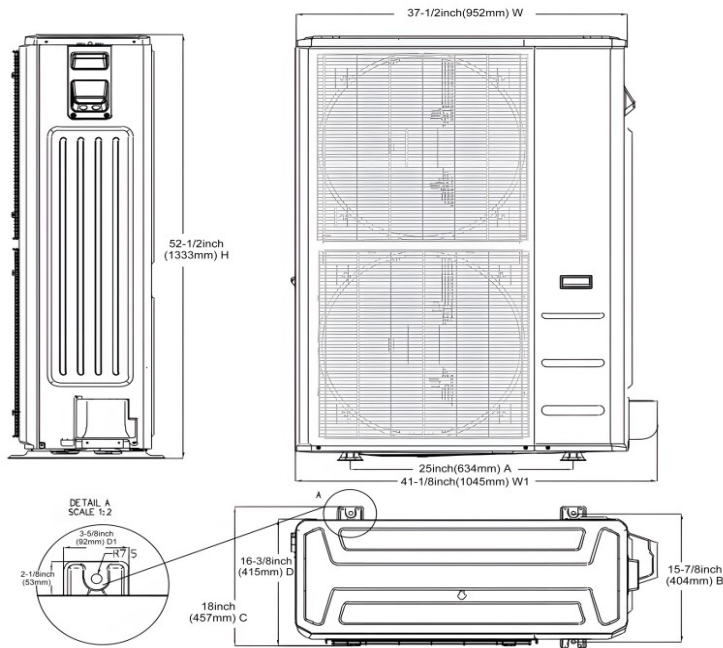
| PIPING | |
|----------------------------------|-------------------|
| Liquid Size | 3/8in (9.52mm) |
| Gas Size | 7/8in (22mm) |
| Drain Size | 5/8in (15.88mm) |
| Max. Piping Length | 213.3ft (65m) |
| Max. Height Difference | 98.42ft (30m) |
| Max. Pre-charged Length | 25ft (7.5m) |
| Refrigerant Pre-charged Amount | 169.31oz (4800g) |
| Additional Charge of Refrigerant | 0.69oz/ft (65g/m) |
| Connection Method | Flared |

Indoor Unit Dimension



| Dimensions | Model | 18k/24k | | 30k/36k | | 48k/60k | |
|------------|------------------------------------|---------|------|---------|------|---------|------|
| | | inch | mm | inch | mm | inch | mm |
| A | Model Height | 45 | 1143 | 49 | 1245 | 53 | 1346 |
| B | Model Width | 17-1/2 | 445 | 21 | 534 | 24-1/2 | 622 |
| C | Supply Air Opening Width | 15-5/8 | 397 | 19-1/8 | 486 | 22-5/8 | 575 |
| D | Return Air Opening Width | 15-1/8 | 384 | 18-5/8 | 473 | 22-1/8 | 562 |
| E | Model Depth | 21 | 534 | 21 | 534 | 21 | 534 |
| F | Supply Air Opening Depth | 10-1/4 | 260 | 10-1/4 | 260 | 10-1/4 | 260 |
| G | Return Air Opening Depth | 18-3/4 | 476 | 18-3/4 | 476 | 18-3/4 | 476 |
| H | Supply Air Opening Clearance | 15/16 | 24 | 15/16 | 24 | 15/16 | 24 |
| I | Return Air Opening Side Clearance | 1-1/4 | 32 | 1-1/4 | 32 | 1-1/8 | 28 |
| J | Return Air Opening Front Clearance | 1-1/2 | 38 | 1-5/8 | 41 | 1-5/8 | 41 |
| K | Return Air Opening Back Clearance | 5/8 | 16 | 5/8 | 16 | 3/4 | 19 |

Outdoor Unit Dimension



Fan performance

