

SUBMITTAL DATA SHEET



Series Name: **INNOVA 24V Mega Heat with AHU**
 Model Number: **AUO18-48N1-M3H / AUH2-48N1-CM3E**

| Heat Pump System | |
|---------------------|---------------------|
| Location: _____ | Approval: _____ |
| Engineer: _____ | Date: _____ |
| Submitted to: _____ | Construction: _____ |
| Submitted by: _____ | Unit #: _____ |
| Reference: _____ | Drawing #: _____ |



| INDOOR SPECIFICATION | | |
|-------------------------------------|------|--------------------------|
| Indoor Air Flow (Turbo/H/M/L) (CFM) | | 1471/1282/1094/906 |
| Indoor Noise Level (H/M/L) (dBA) | | 50/47/43.5 |
| Dimension (W×D×H) | inch | 21 x 21 x 49 |
| | mm | 534 x 534 x 1245 |
| Package (W×D×H) | inch | 26-5/8 x 24-3/8 x 52-1/2 |
| | mm | 675 x 620 x 1335 |
| Net/Gross Weight | lbs | 131/156 |
| | kg | 59.2/70.9 |

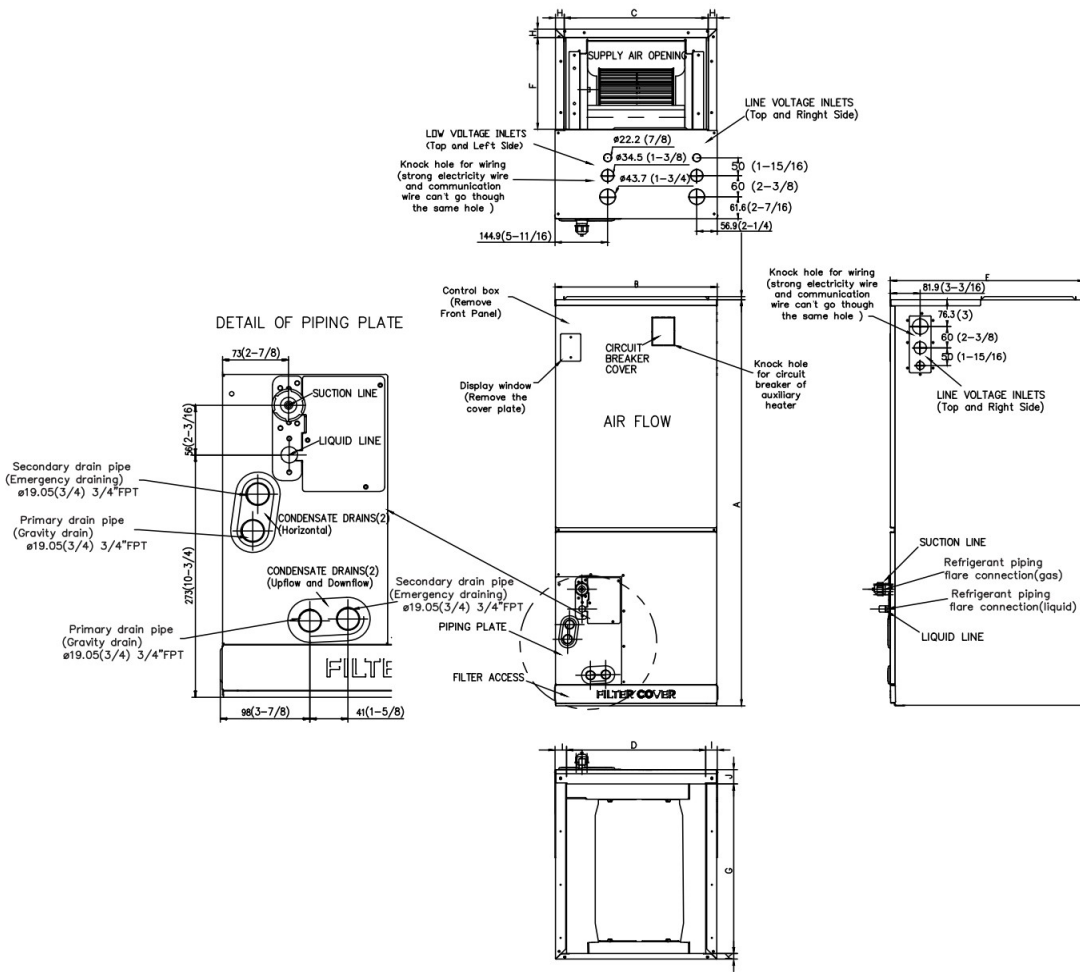
| OUTDOOR SPECIFICATION | | |
|------------------------------|------|--------------------------|
| Compressor Type | | ROTARY |
| Refrigerant | | R410A |
| Factory Charge Oil | | 1460±15ml |
| Refrigerant Oil | | VG74 |
| Outdoor Air Flow (Max) (CFM) | | 4412 |
| Outdoor Noise Level (dBA) | | 64 |
| Dimension (W×D×H) | inch | 37-1/2 x 16-3/8 x 52-1/2 |
| | mm | 952 x 415 x 1333 |
| Package (W×D×H) | inch | 43-1/8 x 19-1/2 x 58-1/4 |
| | mm | 1095 x 495 x 1480 |
| Net/Gross Weight | lbs | 220/249 |
| | kg | 99.9/112.9 |

| EFFICIENCY | | | |
|---|------|-------------------------|-----|
| Cooling | | Heating | |
| SEER2 | 15.6 | HSPF2-4 | 9.4 |
| EER2 | 8.2 | COP | 3.2 |
| PERFORMANCE of Cooling | | | |
| Cooling (Btu/hr) | | | |
| Rated (Min/Max) | | 47000 | |
| Sebsible @ AHRI | | 15000~48000 | |
| Moisture Removal | | 4.96 L/H (10.47pint/H) | |
| Standard Operating Range | | 5°F~122°F (-15°C~50°C) | |
| Rated Cooling Conditions: Indoor: 80°F DB/67°F WB Outdoor: 95°F DB/75°F WB | | | |
| PERFORMANCE of Heating | | | |
| Heating (Btu/hr) | | | |
| 1. @ 47°F Rated (Min/Max) | | 50000(11000~55000) | |
| 2. @ 17°F Rated | | 36000 | |
| 3. @ 5°F Max: Capacity / COP | | 46000 / 1.9 | |
| Standard Operating Range | | -22°F~75°F (-30°C~24°C) | |
| 1. Rated Heating Conditions: Indoor: 70°F DB/60°F WB Outdoor: 47°F DB/43°F WB | | | |
| 2. Rated Heating Conditions: Indoor: 70°F DB/60°F WB Outdoor: 17°F DB/15°F WB | | | |
| 3. Heating Conditions, Compressor Operating at Max. Frequency Indoor: 70°F DB/60°F WB Outdoor: 5°F DB/5°F WB | | | |

| ELECTRICAL | |
|----------------------------------|--|
| Power Supply | 208/230V, 1Ph, 60Hz |
| Outdoor/Indoor MCA | 40/7.5 |
| Connection Wiring | AWG 14-2 |
| Outdoor/Indoor MOCP | 40/15 |
| Compressor RLA | 33 |
| Outdoor Fan Motor RLA | 1.2 |
| Outdoor Fan Motor W | 85 |
| Indoor Fan Motor RLA | 6 |
| Indoor Fan Motor W | / |
| System Power Input @ Cooling (W) | 5731(815~5700) |
| System Power Input @ Heating (W) | 4652(830~5700) |
| MCA: Min. circuit amps (A) | MOCP: Max. over current protection (A) |
| RLA: Rated load amps (A) | W: Fan motor rated output (W) |

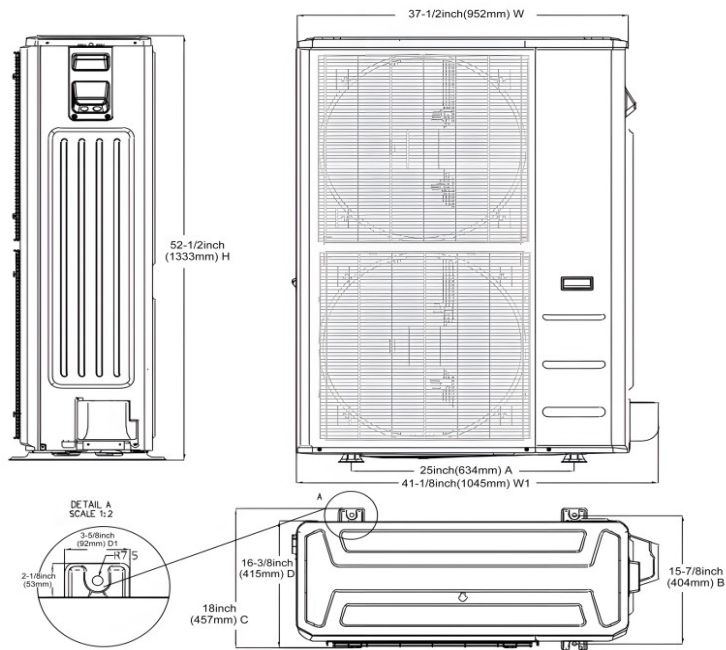
| PIPING | |
|----------------------------------|-------------------|
| Liquid Size | 3/8in (9.52mm) |
| Gas Size | 3/4in (19mm) |
| Drain Size | 5/8in (15.88mm) |
| Max. Piping Length | 213.3ft (65m) |
| Max. Height Difference | 98.4ft (30m) |
| Max. Pre-charged Length | 25ft (7.5m) |
| Refrigerant Pre-charged Amount | 169.31oz (4800g) |
| Additional Charge of Refrigerant | 0.69oz/ft (65g/m) |
| Connection Method | Flared |

Indoor Unit Dimension



| Dimensions | Model | 18k/24k | | 30k/36k | | 48k/60k | |
|------------|------------------------------------|---------|------|---------|------|---------|------|
| | | inch | mm | inch | mm | inch | mm |
| A | Model Height | 45 | 1143 | 49 | 1245 | 53 | 1346 |
| B | Model Width | 17-1/2 | 445 | 21 | 534 | 24-1/2 | 622 |
| C | Supply Air Opening Width | 15-5/8 | 397 | 19-1/8 | 486 | 22-5/8 | 575 |
| D | Return Air Opening Width | 15-1/8 | 384 | 18-5/8 | 473 | 22-1/8 | 562 |
| E | Model Depth | 21 | 534 | 21 | 534 | 21 | 534 |
| F | Supply Air Opening Depth | 10-1/4 | 260 | 10-1/4 | 260 | 10-1/4 | 260 |
| G | Return Air Opening Depth | 18-3/4 | 476 | 18-3/4 | 476 | 18-3/4 | 476 |
| H | Supply Air Opening Clearance | 15/16 | 24 | 15/16 | 24 | 15/16 | 24 |
| I | Return Air Opening Side Clearance | 1-1/4 | 32 | 1-1/4 | 32 | 1-1/8 | 28 |
| J | Return Air Opening Front Clearance | 1-1/2 | 38 | 1-5/8 | 41 | 1-5/8 | 41 |
| K | Return Air Opening Back Clearance | 5/8 | 16 | 5/8 | 16 | 3/4 | 19 |

Outdoor Unit Dimension



Fan performance

