

SUBMITTAL DATA SHEET



Series Name: **INNOVA 24V Mega Heat with A Coil**

Model Number: **AUO18-60N1-M3H / AUA-60N1-D28**

Heat Pump System

Location: _____
 Engineer: _____
 Submitted to: _____
 Submitted by: _____
 Reference: _____

Approval: _____
 Date: _____
 Construction: _____
 Unit #: _____
 Drawing #: _____



INDOOR SPECIFICATION		
Indoor Air Flow (H/M/L) (CFM)		1118
Indoor Noise Level (H/M/L) (dBA)		/
Dimension (W×D×H)	inch	24-1/2 x 21 x 28
	mm	622 x 533 x 711
Package (W×D×H)	inch	27-3/4 x 26-1/8 x 30-3/8
	mm	705 x 665 x 770
Net/Gross Weight	lbs	87/98
	kg	39.3/44.6

OUTDOOR SPECIFICATION		
Compressor Type		ROTARY
Refrigerant		R410A
Factory Charge Oil		1300ml
Refrigerant Oil		VG75
Outdoor Air Flow (Max) (CFM)		4500
Outdoor Noise Level (dBA)		62
Dimension (W×D×H)	inch	37-1/2 x 16-3/8 x 52-1/2
	mm	952 x 415 x 1333
Package (W×D×H)	inch	43-1/8 x 19-1/2 x 58-1/4
	mm	1095 x 495 x 1480
Net/Gross Weight	lbs	240/272
	kg	108.8/123.2

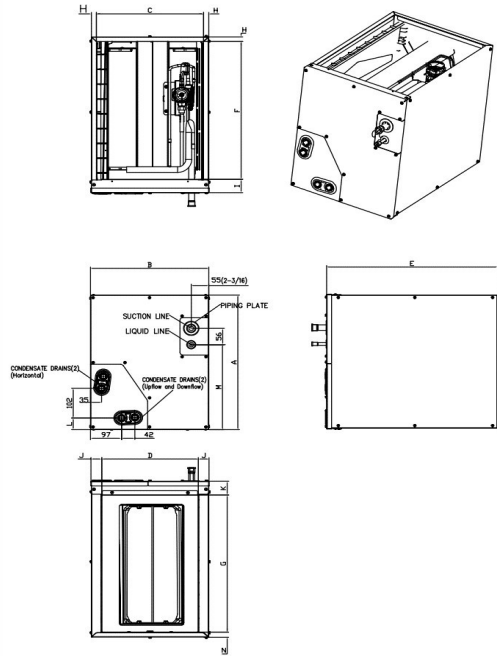
EFFICIENCY			
Cooling		Heating	
SEER2	14.5	HSPF2-4	8.6
EER2	8.6	COP	3.0
PERFORMANCE of Cooling			
Cooling (Btu/hr)			
Rated (Min/Max)	53000		
Sebsible @ AHRI	13400~54000		
Moisture Removal	8.3 L/H (17.51 pint/H)		
Standard Operating Range	5°F~122°F (-15°C~50°C)		
Rated Cooling Conditions:			
	Indoor: 80°F DB/67°F WB		
	Outdoor: 95°F DB/75°F WB		
PERFORMANCE of Heating			
Heating (Btu/hr)			
1. @ 47°F Rated (Min/Max)	55000(10800~60000)		
2. @ 17°F Rated	37000		
3. @ 5°F Max: Capacity / COP	46500 / 1.8		
Standard Operating Range	-22°F~75°F (-30°C~24°C)		
1. Rated Heating Conditions:			
	Indoor: 70°F DB/60°F WB		
	Outdoor: 47°F DB/43°F WB		
2. Rated Heating Conditions:			
	Indoor: 70°F DB/60°F WB		
	Outdoor: 17°F DB/15°F WB		
3. Heating Conditions, Compressor Operating at Max. Frequency			
	Indoor: 70°F DB/60°F WB		
	Outdoor: 5°F DB/5°F WB		

ELECTRICAL	
Power Supply	208/230V, 1Ph, 60Hz
Outdoor/Indoor MCA	40/NA
Connection Wiring	N/A
Outdoor/Indoor MOCP	50/NA
Compressor RLA	26.2
Outdoor Fan Motor RLA	1.2
Outdoor Fan Motor W	85
Indoor Fan Motor RLA	/
Indoor Fan Motor W	/
System Power Input @ Cooling (W)	6162(870~6100)
System Power Input @ Heating (W)	5373(840~6380)
MCA: Min. circuit amps (A)	MOCP: Max. over current protection (A)
RLA: Rated load amps (A)	W: Fan motor rated output (W)

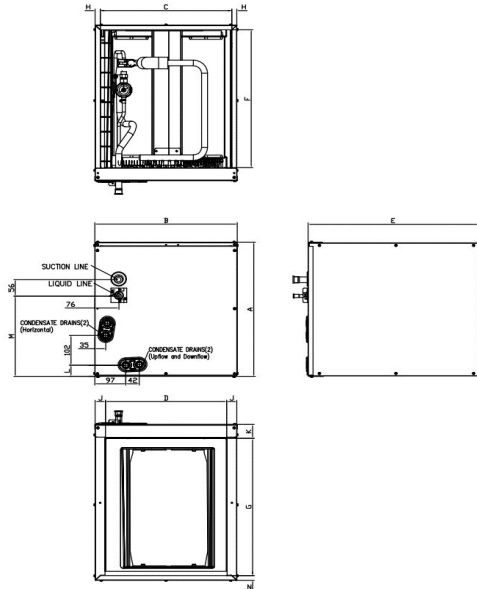
PIPING	
Liquid Size	3/8in (9.52mm)
Gas Size	7/8in (22mm)
Drain Size	5/8in (15.88mm)
Max. Piping Length	213.3ft (65m)
Max. Height Difference	98.4ft (30m)
Max. Pre-charged Length	25ft (7.5m)
Refrigerant Pre-charged Amount	169.32 oz (4800 g)
Additional Charge of Refrigerant	0.69oz/ft (65g/m)
Connection Method	Flared

Indoor Unit Dimension

NEW PANEL STYLE



OLD PANEL STYLE



Dimensions	KV-14F-A		KV-14F-B		KV-17F-A		KV-17F-B		KV-21F-A		KV-21F-B		KV-24F-A	
	NEW PANEL STYLE		NEW PANEL STYLE		NEW PANEL STYLE		OLD PANEL STYLE		OLD PANEL STYLE		NEW PANEL STYLE		OLD PANEL STYLE	
	18K/22K/22K/24K	30K (487)	30K (487)	30K/36K	30K/36K	30K/36K	18K/24K	30K/36K/48K	48K	60K	60K	60K	60K	60K
A Model Height	18	457	23-1/2	598	23-1/2	599	18	461	24	609	28	711	28	711
B Model Width	14-1/2	368	14-1/2	368	17-1/2	445	17-1/2	445	21	533	21	533	24-1/2	622
C Supply Air Opening Width	13-1/4	336	13-1/4	336	16-3/16	411	16-3/16	411	19-3/4	502	19-3/4	502	23-1/4	591
D Return Air Opening Width	12	303	12	303	15-1/8	384	15-1/8	384	19-1/2	496	19-1/2	496	23	585
E Model Depth	21	534	21	534	21	533	21	533	21	533	21	533	21	533
F Supply Air Opening Depth	18-5/8	473	18-5/8	473	18-5/8	473	18-5/8	473	18-5/8	473	18-5/8	473	18-5/8	473
G Return Air Opening Depth	18-1/2	471	18-1/2	471	18	458	18	458	18-1/2	470	18-1/2	470	18-1/2	470
H Supply Air Opening Side Clearance	5/8	16	5/8	16	5/8	16	5/8	16	5/8	16	5/8	16	5/8	16
I Supply Air Opening Front Clearance	1-3/4	45	1-3/4	45	1-3/4	45	1-3/4	45	1-3/4	45	1-3/4	45	1-3/4	45
J Return Air Opening Side Clearance	5/8	16	5/8	16	1-3/16	30	1-3/16	30	3/4	19	3/4	19	3/4	19
K Return Air Opening Front Clearance	1-13/16	46	1-15/16	46	1-13/16	46	1-13/16	46	1-13/16	46	1-13/16	46	1-13/16	46
L Condensate Drains Height	1-9/16	40	1-9/16	40	1-7/16	37	1-7/16	37	2-1/8	54	2-1/8	54	2-1/8	54
M Liquid Line Height	11-1/2	292	11-1/2	292	16-1/2	418	10-7/8	276	16-5/16	414	21	533	20-1/4	514
N Return Air Opening Side Clearance	3/4	19	3/4	19	3/4	19	1-3/16	30	3/4	19	3/4	19	3/4	19

Outdoor Unit Dimension

