

SUBMITTAL DATA SHEET



Series Name: **INNOVA 24V Mega Heat with A Coil**

Model Number: **AUO18-24N1-M3H / AUA-24N1-B18**

Heat Pump System

Location: _____
 Engineer: _____
 Submitted to: _____
 Submitted by: _____
 Reference: _____

Approval: _____
 Date: _____
 Construction: _____
 Unit #: _____
 Drawing #: _____



INDOOR SPECIFICATION		
Indoor Air Flow (H/M/L) (CFM)	706	
Indoor Noise Level (H/M/L) (dBA)	/	
Dimension (W×D×H)	inch	17-1/2 x 21 x 18
	mm	445 x 533 x 457
Package (W×D×H)	inch	20-1/2 x 26-1/8 x 20-1/4
	mm	520 x 665 x 515
Net/Gross Weight	lbs	43/52
	kg	19.4/23.6

OUTDOOR SPECIFICATION		
Compressor Type	Twin-ROTARY	
Refrigerant	R410A	
Factory Charge Oil	670ml	
Refrigerant Oil	VG74	
Outdoor Air Flow (Max) (CFM)	3000	
Outdoor Noise Level (dBA)	63.5	
Dimension (W×D×H)	inch	37-1/4 x 16-1/8 x 31-7/8
	mm	946 x 410 x 810
Package (W×D×H)	inch	42-7/8 x 19-5/8 x 34-7/8
	mm	1090 x 500 x 885
Net/Gross Weight	lbs	137/146
	kg	62/66

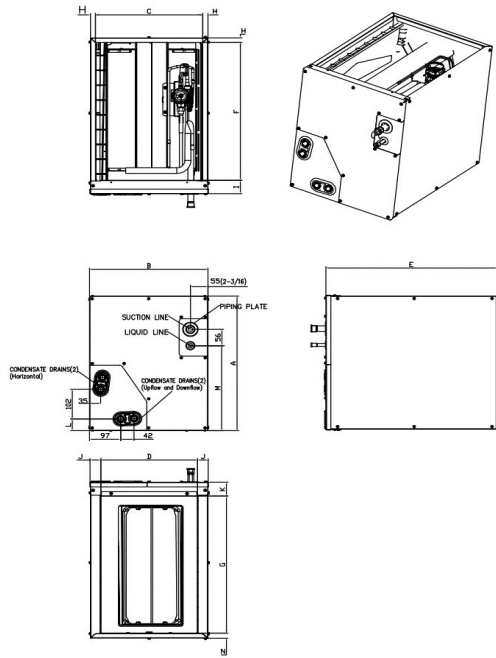
EFFICIENCY			
Cooling		Heating	
SEER2	16.5	HSPF2-4	9.5
EER2	10.7	COP	3.3
PERFORMANCE of Cooling			
Cooling (Btu/hr)			
Rated (Min/Max)	24000		
Sebsible @ AHRI	10000~28400		
Moisture Removal	2.8 L/H (5.91 pint/H)		
Standard Operating Range	5°F~122°F (-15°C~50°C)		
Rated Cooling Conditions:		Indoor: 80°F DB/67°F WB Outdoor: 95°F DB/75°F WB	
PERFORMANCE of Heating			
Heating (Btu/hr)			
1. @ 47°F Rated (Min/Max)	25000(9600~33400)		
2. @ 17°F Rated	21000		
3. @ 5°F Max: Capacity / COP	20000 / 1.95		
Standard Operating Range	-22°F~75°F (-30°C~24°C)		
1. Rated Heating Conditions:		Indoor: 70°F DB/60°F WB Outdoor: 47°F DB/43°F WB	
2. Rated Heating Conditions:		Indoor: 70°F DB/60°F WB Outdoor: 17°F DB/15°F WB	
3. Heating Conditions, Compressor Operating at Max. Frequency		Indoor: 70°F DB/60°F WB Outdoor: 5°F DB/5°F WB	

ELECTRICAL	
Power Supply	208/230V, 1Ph, 60Hz
Outdoor/Indoor MCA	20/NA
Connection Wiring	N/A
Outdoor/Indoor MOCP	35/NA
Compressor RLA	15
Outdoor Fan Motor RLA	1.4
Outdoor Fan Motor W	120
Indoor Fan Motor RLA	/
Indoor Fan Motor W	/
System Power Input @ Cooling (W)	2247(380~2600)
System Power Input @ Heating (W)	2233(510~3160)
MCA: Min. circuit amps (A)	MOCP: Max. over current protection (A)
RLA: Rated load amps (A)	W: Fan motor rated output (W)

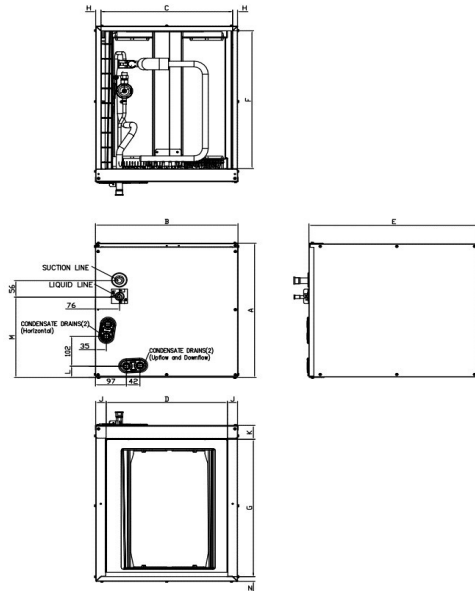
PIPING	
Liquid Size	3/8in (9.52mm)
Gas Size	3/4in (19mm)
Drain Size	5/8in (15.88mm)
Max. Piping Length	98.4ft (30m)
Max. Height Difference	65.6ft (20m)
Max. Pre-charged Length	25ft (7.5m)
Refrigerant Pre-charged Amount	102.32 oz (2901 g)
Additional Charge of Refrigerant	0.69oz/ft (65g/m)
Connection Method	Flared

Indoor Unit Dimension

NEW PANEL STYLE



OLD PANEL STYLE



Dimensions	Model(Btu/h)	KV-14F-A		KV-14F-B		KV-17F-A		KV-17F-B		KV-21F-A		KV-21F-B		KV-24F-A	
		NEW PANEL STYLE		NEW PANEL STYLE		NEW PANEL STYLE		OLD PANEL STYLE		OLD PANEL STYLE		NEW PANEL STYLE		OLD PANEL STYLE	
		18K/20K/22K/24K	30K(未投产)	18K/24K	30K/36K/48K	18K/24K	30K/36K/48K	48K	60K						
A	Model Height	18	457	23-1/2	598	23-1/2	599	18	461	24	609	28	711	28	711
B	Model Width	14-1/2	368	14-1/2	368	17-1/2	445	17-1/2	445	21	533	21	533	24-1/2	622
C	Supply Air Opening Width	13-1/4	336	13-1/4	336	16-3/16	411	16-3/16	411	19-3/4	502	19-3/4	502	23-1/4	591
D	Return Air Opening Width	12	303	12	303	15-1/8	384	15-1/8	384	19-1/2	496	19-1/2	496	23	585
E	Model Depth	21	534	21	534	21	533	21	533	21	533	21	533	21	533
F	Supply Air Opening Depth	18-5/8	473	18-5/8	473	18-5/8	473	18-5/8	473	18-5/8	473	18-5/8	473	18-5/8	473
G	Return Air Opening Depth	18-1/2	471	18-1/2	471	18	458	18	458	18-1/2	470	18-1/2	470	18-1/2	470
H	Supply Air Opening Side Clearance	5/8	16	5/8	16	5/8	16	5/8	16	5/8	16	5/8	16	5/8	16
I	Supply Air Opening Front Clearance	1-3/4	45	1-3/4	45	1-3/4	45	1-3/4	45	1-3/4	45	1-3/4	45	1-3/4	45
J	Return Air Opening Side Clearance	5/8	16	5/8	16	1-3/16	30	1-3/16	30	3/4	19	3/4	19	3/4	19
K	Return Air Opening Front Clearance	1-13/16	46	1-13/16	46	1-13/16	46	1-13/16	46	1-13/16	46	1-13/16	46	1-13/16	46
L	Condensate Drains Height	1-9/16	40	1-9/16	40	1-7/16	37	1-7/16	37	2-1/8	54	2-1/8	54	2-1/8	54
M	Liquid Line Height	11-1/2	292	11-1/2	292	16-1/2	418	10-7/8	276	16-5/16	414	21	533	20-1/4	514
N	Return Air Opening Side Clearance	3/4	19	3/4	19	3/4	19	1-3/16	30	3/4	19	3/4	19	3/4	19

Outdoor Unit Dimension

